



THE URBAN OUTDOOR ASSORTMENT

LEDVANCE LED LUMINAIRE HIGHLIGHTS

SEPTEMBER 2021



[LEDVANCE.COM](https://www.ledvance.com)



LEDVANCE

LEDVANCE: ADVANCING LIGHT

BAD LIGHT DRIVES YOU WILD? BETTER SWITCH TO LEDVANCE LUMINAIRES.

With over 100 years of experience in general lighting, LEDVANCE combines traditional lighting technology with pioneering lighting innovations for almost any application. In addition to this unique know-how, we particularly rely on long-term customer relationships and a strong global sales network.

As technology trend experts, we are leading the way in meeting the rapidly changing demands for high-quality and long-lasting light. And as a strong local partner, we are always reliably at your side in over 140 countries.

Whether it's luminaires, lamps, our LED Strip System or state-of-the-art light management solutions, our teams of specialists are focused on the specific needs of our customers. We are making a decisive contribution to increasing your competitiveness with technical innovations and easy-to-use, intelligent lighting solutions compliant with EU regulations.

So with LEDVANCE you are always prepared for the future. Our current luminaire portfolio, for example, meets all the requirements of the EU's new SLR and ELR regulations. And everything we do is geared to the wishes of our customers. Take professional outdoor lighting, for example. Our new products for floodlighting and street lighting set new standards in terms of quality, functionality and ease of installation.

We always focus on the benefit for you as a lighting professional. That's why we do everything we can to make our products and systems particularly easy to plan, install and combine.

Based on these principles, we will continue to develop sophisticated products and provide you with optimum support in your personal fight against bad light.



CONTENTS

Please use the back-button
on the following pages to get
back to the content page



URBAN OUTDOOR LIGHTING: NEW HIGHLIGHTS FOR YOUR SUCCESS	04
FUTURE-PROOFED WITH LEDVANCE LUMINAIRES (SLR/ELR)	06

FLOODLIGHTS **08**

FLOODLIGHT 10W–50W	10
FLOODLIGHT 65W–200W	12
FLOODLIGHT SENSOR	14
FLOODLIGHT PHOTOCELL	16
FLOODLIGHT COMPACT	18
FLOODLIGHT MAX	22
FLOODLIGHT MAX POWER SUPPLY	25
FLOODLIGHT PERFORMANCE	26
FLOODLIGHT AREA	30



STANDARD APPLICATIONS: Building facades | Public areas
Industry | Lighting of large areas | Sports facilities | Construction sites
Parking lots | Underpasses

STREETLIGHTS **32**

STREETLIGHT FLEX SMALL	34
STREETLIGHT FLEX MEDIUM	36
STREETLIGHT FLEX LARGE	38
STREETLIGHT FLEX ACCESSORIES	40



STANDARD APPLICATIONS: M-, C- and P-class roads
acc. to EN 13201 | Parking | Public areas | Industry

FURTHER INFORMATION ON LEDVANCE AND ABBREVIATIONS **42**

Look for the following to help navigate
this brochure and learn more:

Return to Contents Page



Click for further information



All the following values for the IP and IK protection classes
apply exclusively to luminaires (excluding accessories).

NEW HIGHLIGHTS FOR YOUR

OUTDOOR LIGHTING TO MEET THE HIGHEST DEMANDS

Lighting for streets, parking lots, sports facilities and other large outdoor areas has to meet the highest demands in terms of safety, functionality, visual comfort and robustness. With our modular, high-power **FLOODLIGHT MAX** and the new modern and durable **STREETLIGHT FLEX** product category we now offer you completely new outdoor options that are reliable, powerful, extremely efficient and easy to install. But that's not all: to meet all your demands our urban outdoor portfolio has also been expanded with the **FLOODLIGHT COMPACT** range which is stripped down to the essential to offer great safe and long-lasting outdoor lighting.

This broad range and their versatile mounting options allow for many different applications.

SERVICE AND SUPPORT FOR BETTER LIGHT

As your strong partner we back up these impressive products with equally impressive service. Our services are perfectly tailored to the needs of professional users. For example, our global supplier and sales network means we are always at your side wherever you may be. And you can count on us throughout all your lighting projects – from initial consultation to technical after-sales support. It's also good to know that all LEDVANCE luminaires and packaging reliably meet the requirements of the new EU regulations on eco-design and the labeling of light sources (**SLR/ELR**).

So you are best prepared for our joint mission to exceed customer requirements with better light.



YOUR BENEFITS AT A GLANCE



Global network



Extensive portfolio from a single source



Outstanding services

FULL SERVICE FOR YOUR PROJECT SUCCESS

In addition to first-class products and competent customer service (contact@ledvance.com), we support you in numerous other ways throughout your lighting projects. Go to ledvance.com and discover valuable service concepts such as the Fast Light Calculation Tool, our eLearning modules or the DIALux/RELUX light planning software.

SUCCESS

IDEAL LIGHTING SOLUTIONS FOR URBAN OUTDOOR APPLICATIONS

STREETLIGHTING & PARKING



PERFORMANCE CLASS



STREETLIGHT FLEX SMALL/MEDIUM/LARGE:

Professional product family for streetlighting, which offers everything expected of a high-quality outdoor luminaire: robustness, long life-time, component quality and very high efficiency.

SPORTS & LARGE AREA LIGHTING



PERFORMANCE CLASS



FLOODLIGHT MAX 2/3/4 MODULES:

First, modular high-power floodlight range for large area and sports lighting applications from LEDVANCE, allowing the flexible replacement of traditional high-power lighting.

AREA LIGHTING



VALUE CLASS



FLOODLIGHT COMPACT VALUE LOW/MID/SENSOR:

Complete range of VALUE floodlights, offering essential features and outstanding price/performance ratio.

SLR/ELR – GET READY FOR

EU REGULATIONS: NEW RULES FOR THE LIGHT OF THE FUTURE

The EU is embarking on the next stage in the journey toward efficient, climate-friendly lighting and there are some fundamental changes coming to the lighting market in 2021.

These changes are being triggered by the new EU 2019/2020 Single Lighting Regulation (SLR) and the new EU 2019/2015 Energy Label Regulation (ELR), which have been in force since the end of 2019. They are now being implemented in phases. The aim is to protect the environment, boost consumer protection and improve the sustainability of products.

Amongst other things, the regulations no longer distinguish between modules, lamps and luminaires. Instead, they refer only to light sources.



CLIMATE-FRIENDLY LIGHT

NEW: LIGHT SOURCES INSTEAD OF LAMPS AND LUMINAIRES

In addition to promoting energy efficiency, the regulations aim to conserve resources and strengthen the circular economy. Lamps, LED modules and luminaires have therefore been redefined and recategorized. The EU now distinguishes between “light sources”, “separate control gear” and “containing products”.

LEDVANCE luminaires are generally classified as containing products and have not had to carry an energy label since December 25th, 2019.

LIGHT SOURCES

“Light sources” are electrically operated products that emit white light and meet certain technical criteria, irrespective of whether they are lamps, LED modules, or luminaires with fully integrated components. They must all comply with the requirements of the SLR and ELR regulations.



CONTAINING PRODUCTS

“Containing products” include luminaires and other equipment, that contain light sources, which can be removed without permanent damage to the light source using commonly available tools. Containing products are exempt from the SLR/ELR regulations and therefore do not have to display an energy label.



MEETING REQUIREMENTS – AND EXCEEDING THEM

A very large proportion of LEDVANCE products already meet the requirements of the new ecodesign regulation. We will of course always ensure that we supply you exclusively with products that conform to the regulation.

We are also committed to not only meeting the requirements but exceeding them, even under the new framework conditions.

YOU ASK THE QUESTIONS – WE HAVE THE ANSWERS

Would you like more information on SLR/ELR or have questions about specific light sources? The experts in our technical team are happy to advise you. You can reach our team by email at technik@ledvance.com or by phone on +49 89 780673-680.

Further information from LEDVANCE on the impact of SLR & ELR regulations can be found in our new dedicated flyer and at our website: ledvance.com/slr-elr

FLOODLIGHTS

THE RIGHT ILLUMINATION FOR A WIDE VARIETY OF OUTDOOR AREA AND SPORTS LIGHTING PROJECTS

GENERAL OUTDOOR LIGHTING



FLOODLIGHT: POWERFUL ALL-ROUNDERS



Broad floodlight portfolio for highly efficient and long-lasting illumination across a wide range of applications.

PERFORMANCE CLASS

Page 10



FLOODLIGHT SENSOR AND PHOTOCELL SENSOR: INTELLIGENT AND EFFICIENT

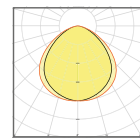


Luminaires with programmable, adjustable IP65 daylight and motion sensor. As well as products with highly protected photocell daylight sensor.

PERFORMANCE CLASS

Page 14

Distribution of light SYM 100



Symmetrical light pattern 100° x 100°
General outdoor and facade lighting



FLOODLIGHT COMPACT: VERSATILE

Luminaires equipped with all essential features for safe and worry-free outdoor lighting.

VALUE CLASS

Page 18



FLOODLIGHT COMPACT SENSOR: FUNCTIONAL

Luminaires for optimized outdoor lighting by means of motion and daylight sensor.

VALUE CLASS

Page 20



AREA & SPORTS LIGHTING



FLOODLIGHT MAX: HIGHEST LUMEN OUTPUT



PERFORMANCE CLASS

Extremely robust, yet very modular high-power floodlight with four beam angles and up to 164 000 lumen light output. Suitable for replacing high-pressure discharge luminaires or up to 2 kW.

Page 22

<p>Distribution of light SYM 10</p>	<p>Distribution of light SYM 30</p>	<p>Distribution of light SYM 60</p>	<p>Distribution of light ASYM 50 x 110</p>
<p>Symmetrical 10° Illumination of small areas with very high light level requirements</p>	<p>Symmetrical 30° Illumination of sports grounds and applications that require high illumination levels</p>	<p>Symmetrical 60° Illumination of sports areas and applications with high or medium light levels</p>	<p>Asymmetrical wide beam 50° x 110° Illumination of areas, parking lots and sports grounds</p>
<p>Typical application results with products installed as displayed. Grey dot shows mast position.</p>			



FLOODLIGHT PERFORMANCE: POWERFUL AND PRECISE



PERFORMANCE CLASS

Highly durable and efficient floodlights, with up to 140 lm/W. Available in four light distributions and light output configurations ranging from 6 300 to 40 800 lumen, ideal for replacing conventional luminaires and new installations alike.

Page 26

<p>Distribution of light ASYM 55 x 110</p>	<p>Distribution of light ASYM 45 x 140</p>	<p>Distribution of light SYM R30</p>	<p>Distribution of light SYM 60</p>
<p>Asymmetrical wide beam 55° x 110° Illumination of areas, parking lots, sports grounds and facades</p>	<p>Asymmetrical extra wide beam 45° x 140° Illumination of areas, parking lots and (industrial) roads with wide mast spacing</p>	<p>Rotationally symmetrical 30° Illumination of sports grounds and applications that require high illuminance levels</p>	<p>NEW: Symmetrical 60° Illumination of sports areas and applications with high or medium light levels</p>
<p>Typical application results with products installed as displayed. Grey dot shows mast position.</p>			



FLOODLIGHT AREA: UNIVERSAL LIGHT

VALUE CLASS

Page 30



Highly efficient and flexible floodlight for universal area lighting.

<p>Distribution of light ASYM 48 x 92</p>	
<p>Asymmetric beam angle 48° x 92° Ideal for area and small field sports lighting</p>	<p>Typical application results with products installed as displayed. Grey dot shows mast position.</p>

FLOODLIGHT 10W – 50W

Floodlight with reflector based, symmetric light distribution up to 120 lm/W



PRODUCT FEATURES

- Aluminum housing with toughened glass, black or white
- Symmetrical beam angle: 100° × 100°
- Mounting bracket with 30° angle and wide rotation
- Connection via flexible 1 m cable, wiring required
- Surge protection: up to 4 kV (L/N-PE), 2 kV (L-N)

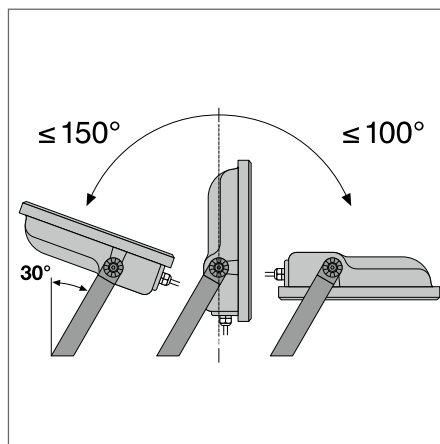
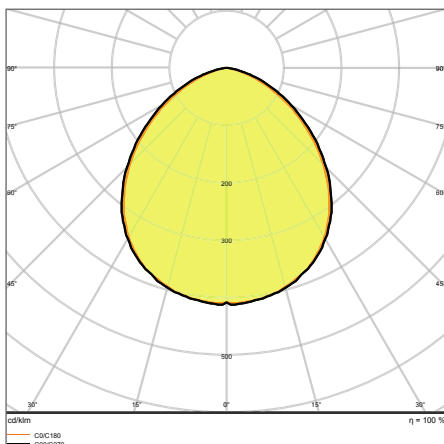
PRODUCT BENEFITS

- Frosted cover made of tempered glass for uniform illumination
- Energy savings of up to 90 % compared to halogen lamp floodlights
- No upper light output ratio (ULOR 0 %) when mounted at 0° tilt
- Impact resistance: IK07
- 5 years guarantee

AREAS OF APPLICATION

- Replacement for floodlights with halogen lamps
- Outdoor use (IP65)
- Public areas
- Building facades
- Construction areas

FURTHER PRODUCT DETAILS



FL PFM 50 W 6500 K SYM 100 WT

¹ Refer to www.ledvance.com/guarantee for precise conditions

The pictures shown in the catalog are for illustration purposes only. For information on size and color, please refer to the product table.

Product name	Segmentation	GTIN (EAN)	RE-PLACEMENT FOR	W	lm	lm/W	K	L70 ²	L80 ²
FL PFM 10 W 3000 K SYM 100 BK	■	4058075420847	80 W HAL	10	1100	110	3000	70 000	55 000
FL PFM 10 W 3000 K SYM 100 WT	■	4058075420861	80 W HAL	10	1100	110	3000	70 000	55 000
FL PFM 10 W 4000 K SYM 100 BK	■	4058075420885	80 W HAL	10	1200	120	4000	70 000	55 000
FL PFM 10 W 4000 K SYM 100 WT	■	4058075420908	80 W HAL	10	1200	120	4000	70 000	55 000
FL PFM 10 W 6500 K SYM 100 BK	■	4058075420922	80 W HAL	10	1200	120	6500	70 000	55 000
FL PFM 10 W 6500 K SYM 100 WT	■	4058075420946	80 W HAL	10	1200	120	6500	70 000	55 000
FL PFM 20 W 3000 K SYM 100 BK	■	4058075420960	160 W HAL	20	2200	110	3000	70 000	55 000
FL PFM 20 W 3000 K SYM 100 WT	■	4058075420991	160 W HAL	20	2200	110	3000	70 000	55 000
FL PFM 20 W 4000 K SYM 100 BK	■	4058075421011	160 W HAL	20	2400	120	4000	70 000	55 000
FL PFM 20 W 4000 K SYM 100 WT	■	4058075421035	160 W HAL	20	2400	120	4000	70 000	55 000
FL PFM 20 W 6500 K SYM 100 BK	■	4058075421059	160 W HAL	20	2400	120	6500	70 000	55 000
FL PFM 20 W 6500 K SYM 100 WT	■	4058075421073	160 W HAL	20	2400	120	6500	70 000	55 000
FL PFM 30 W 3000 K SYM 100 BK	■	4058075421097	250 W HAL	30	3300	110	3000	70 000	55 000
FL PFM 30 W 3000 K SYM 100 WT	■	4058075421110	250 W HAL	30	3300	110	3000	70 000	55 000
FL PFM 30 W 4000 K SYM 100 BK	■	4058075421134	250 W HAL	30	3600	120	4000	70 000	55 000
FL PFM 30 W 4000 K SYM 100 WT	■	4058075421165	250 W HAL	30	3600	120	4000	70 000	55 000
FL PFM 30 W 6500 K SYM 100 BK	■	4058075421189	250 W HAL	30	3600	120	6500	70 000	55 000
FL PFM 30 W 6500 K SYM 100 WT	■	4058075421202	250 W HAL	30	3600	120	6500	70 000	55 000
FL PFM 50 W 3000 K SYM 100 BK	■	4058075421226	400 W HAL	50	5500	110	3000	70 000	55 000
FL PFM 50 W 3000 K SYM 100 WT	■	4058075421240	400 W HAL	50	5500	110	3000	70 000	55 000
FL PFM 50 W 4000 K SYM 100 BK	■	4058075421264	400 W HAL	50	6000	120	4000	70 000	55 000
FL PFM 50 W 4000 K SYM 100 WT	■	4058075421288	400 W HAL	50	6000	120	4000	70 000	55 000
FL PFM 50 W 6500 K SYM 100 BK	■	4058075421301	400 W HAL	50	6000	120	6500	70 000	55 000
FL PFM 50 W 6500 K SYM 100 WT	■	4058075421325	400 W HAL	50	6000	120	6500	70 000	55 000

Product name	Beam angle	CRI	IK	IP	CABLE LENGTH [mm]	L x W x H [mm] Ø x H [mm]
FL PFM 10 W 3000 K SYM 100 BK	100 x 100	≥80	IK07	400	1 000	122 x 131 x 36
FL PFM 10 W 3000 K SYM 100 WT	100 x 100	≥80	IK07	400	1 000	122 x 131 x 36
FL PFM 10 W 4000 K SYM 100 BK	100 x 100	≥80	IK07	400	1 000	122 x 131 x 36
FL PFM 10 W 4000 K SYM 100 WT	100 x 100	≥80	IK07	400	1 000	122 x 131 x 36
FL PFM 10 W 6500 K SYM 100 BK	100 x 100	≥80	IK07	400	1 000	122 x 131 x 36
FL PFM 10 W 6500 K SYM 100 WT	100 x 100	≥80	IK07	400	1 000	122 x 131 x 36
FL PFM 20 W 3000 K SYM 100 BK	100 x 100	≥80	IK07	520	1 000	144 x 156 x 42
FL PFM 20 W 3000 K SYM 100 WT	100 x 100	≥80	IK07	520	1 000	144 x 156 x 42
FL PFM 20 W 4000 K SYM 100 BK	100 x 100	≥80	IK07	520	1 000	144 x 156 x 42
FL PFM 20 W 4000 K SYM 100 WT	100 x 100	≥80	IK07	520	1 000	144 x 156 x 42
FL PFM 20 W 6500 K SYM 100 BK	100 x 100	≥80	IK07	520	1 000	144 x 156 x 42
FL PFM 20 W 6500 K SYM 100 WT	100 x 100	≥80	IK07	520	1 000	144 x 156 x 42
FL PFM 30 W 3000 K SYM 100 BK	100 x 100	≥80	IK07	700	1 000	177 x 186 x 42
FL PFM 30 W 3000 K SYM 100 WT	100 x 100	≥80	IK07	700	1 000	177 x 186 x 42
FL PFM 30 W 4000 K SYM 100 BK	100 x 100	≥80	IK07	700	1 000	177 x 186 x 42
FL PFM 30 W 4000 K SYM 100 WT	100 x 100	≥80	IK07	700	1 000	177 x 186 x 42
FL PFM 30 W 6500 K SYM 100 BK	100 x 100	≥80	IK07	700	1 000	177 x 186 x 42
FL PFM 30 W 6500 K SYM 100 WT	100 x 100	≥80	IK07	700	1 000	177 x 186 x 42
FL PFM 50 W 3000 K SYM 100 BK	100 x 100	≥80	IK07	1 000	1 000	206 x 218 x 46
FL PFM 50 W 3000 K SYM 100 WT	100 x 100	≥80	IK07	1 000	1 000	206 x 218 x 46
FL PFM 50 W 4000 K SYM 100 BK	100 x 100	≥80	IK07	1 000	1 000	206 x 218 x 46
FL PFM 50 W 4000 K SYM 100 WT	100 x 100	≥80	IK07	1 000	1 000	206 x 218 x 46
FL PFM 50 W 6500 K SYM 100 BK	100 x 100	≥80	IK07	1 000	1 000	206 x 218 x 46
FL PFM 50 W 6500 K SYM 100 WT	100 x 100	≥80	IK07	1 000	1 000	206 x 218 x 46

² t[h]: L70/B50 @ 25 °C (T_a) / t[h]: L80/B10 @ 25 °C (T_a)

FLOODLIGHT 65 W – 200 W

Floodlight with reflector based, symmetric light distribution up to 125 lm/W



PRODUCT FEATURES

- Aluminum housing with toughened glass
- Symmetrical beam angle: $100^{\circ} \times 100^{\circ}$
- Mounting bracket with 30° angle and wide rotation
- Breather membrane to optimize air exchange, without compromising IP protection
- Surge protection: up to 6 kV (L/N-PE), 4 kV (L-N)

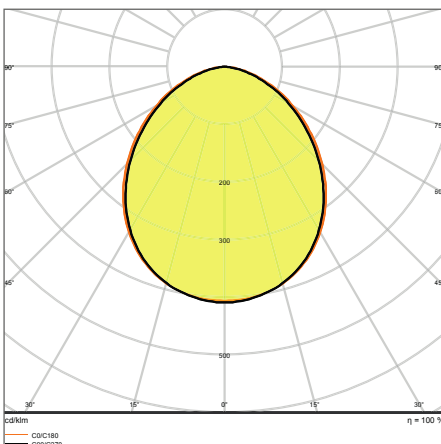
PRODUCT BENEFITS

- Frosted cover made of tempered glass for uniform illumination
- Energy savings of up to 90 % compared to halogen lamp floodlights
- No upper light output ratio (ULOR 0 %) when mounted at 0° tilt
- Impact resistance: IK08
- 5 years guarantee

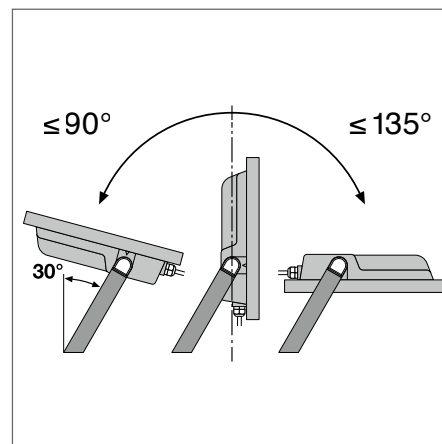
AREAS OF APPLICATION

- Replacement for floodlights with halogen lamps
- Outdoor use (IP65)
- Public areas
- Building facades
- Construction areas

FURTHER PRODUCT DETAILS



FL PFM 200 W 6500 K SYM 100 BK



¹ Refer to www.ledvance.com/guarantee for precise conditions

The pictures shown in the catalog are for illustration purposes only. For information on size and color, please refer to the product table.

Product name	Segmentation	GTIN (EAN)	RE- PLACE- MENT FOR	W	lm	lm/W	K	L70 ²	L80 ²
FL PFM 65 W 3000 K SYM 100 BK	■	4058075422445	500 W HAL	65	7 150	110	3000	70 000	55 000
FL PFM 65 W 4000 K SYM 100 BK	■	4058075422469	500 W HAL	65	8 000	123	4000	70 000	55 000
FL PFM 65 W 6500 K SYM 100 BK	■	4058075422483	500 W HAL	65	8 000	123	6500	70 000	55 000
FL PFM 80 W 3000 K SYM 100 BK	■	4058075422506	750 W HAL	80	8 800	110	3000	70 000	55 000
FL PFM 80 W 4000 K SYM 100 BK	■	4058075422520	750 W HAL	80	10 000	125	4000	70 000	55 000
FL PFM 80 W 6500 K SYM 100 BK	■	4058075422544	750 W HAL	80	10 000	125	6500	70 000	55 000
FL PFM 125 W 3000 K SYM 100 BK	■	4058075423695	1 000 W HAL	125	13 750	110	3000	70 000	55 000
FL PFM 125 W 4000 K SYM 100 BK	■	4058075423701	1 000 W HAL	125	15 000	120	4000	70 000	55 000
FL PFM 125 W 6500 K SYM 100 BK	■	4058075423718	1 000 W HAL	125	15 000	120	6500	70 000	55 000
FL PFM 165 W 3000 K SYM 100 BK	■	4058075423725	1 500 W HAL	165	18 150	110	3000	70 000	55 000
FL PFM 165 W 4000 K SYM 100 BK	■	4058075423732	1 500 W HAL	165	20 000	121	4000	70 000	55 000
FL PFM 165 W 6500 K SYM 100 BK	■	4058075423749	1 500 W HAL	165	20 000	121	6500	70 000	55 000
FL PFM 200 W 3000 K SYM 100 BK	■	4058075423756	2 000 W HAL	200	22 000	110	3000	70 000	55 000
FL PFM 200 W 4000 K SYM 100 BK	■	4058075423763	2 000 W HAL	200	25 000	125	4000	70 000	55 000
FL PFM 200 W 6500 K SYM 100 BK	■	4058075423770	2 000 W HAL	200	25 000	125	6500	70 000	55 000

Product name								L x W x H [mm] Ø x H [mm]
FL PFM 65 W 3000 K SYM 100 BK	100 x 100	≥ 80	–	IK08	2 100	1 000		268 x 237 x 49
FL PFM 65 W 4000 K SYM 100 BK	100 x 100	≥ 80	–	IK08	2 100	1 000		268 x 237 x 49
FL PFM 65 W 6500 K SYM 100 BK	100 x 100	≥ 80	–	IK08	2 100	1 000		268 x 237 x 49
FL PFM 80 W 3000 K SYM 100 BK	100 x 100	≥ 80	–	IK08	2 800	1 000		335 x 250 x 55
FL PFM 80 W 4000 K SYM 100 BK	100 x 100	≥ 80	–	IK08	2 800	1 000		335 x 250 x 55
FL PFM 80 W 6500 K SYM 100 BK	100 x 100	≥ 80	–	IK08	2 800	1 000		335 x 250 x 55
FL PFM 125 W 3000 K SYM 100 BK	100 x 100	≥ 80	< 5 %	IK08	3 800	1 000		381 x 290 x 59
FL PFM 125 W 4000 K SYM 100 BK	100 x 100	≥ 80	< 5 %	IK08	3 800	1 000		381 x 290 x 59
FL PFM 125 W 6500 K SYM 100 BK	100 x 100	≥ 80	< 5 %	IK08	3 800	1 000		381 x 290 x 59
FL PFM 165 W 3000 K SYM 100 BK	100 x 100	≥ 80	< 5 %	IK08	4 800	1 000		418 x 322 x 60
FL PFM 165 W 4000 K SYM 100 BK	100 x 100	≥ 80	< 5 %	IK08	4 800	1 000		418 x 322 x 60
FL PFM 165 W 6500 K SYM 100 BK	100 x 100	≥ 80	< 5 %	IK08	4 800	1 000		418 x 322 x 60
FL PFM 200 W 3000 K SYM 100 BK	100 x 100	≥ 80	< 5 %	IK08	6 000	1 000		454 x 354 x 62
FL PFM 200 W 4000 K SYM 100 BK	100 x 100	≥ 80	< 5 %	IK08	6 000	1 000		454 x 354 x 62
FL PFM 200 W 6500 K SYM 100 BK	100 x 100	≥ 80	< 5 %	IK08	6 000	1 000		454 x 354 x 62

² t[h]: L70/B50 @ 25 °C (T_a) / t[h]: L80/B10 @ 25 °C (T_a)

FLOODLIGHT SENSOR

Floodlight with flexible motion and daylight sensor



PRODUCT FEATURES

- Aluminum housing with toughened glass, black or white
- Symmetrical beam angle: 100° × 100°
- Mounting bracket with 30° angle and wide rotation
- PIR motion and daylight sensor
- Connection via flexible 1 m cable, wiring required

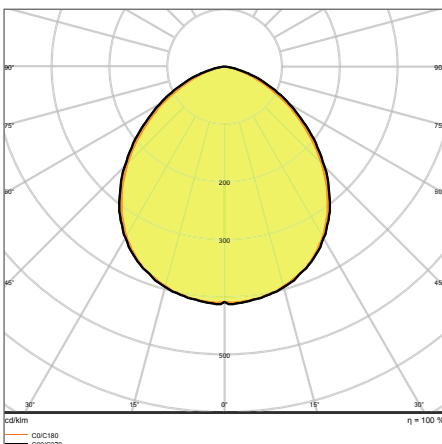
PRODUCT BENEFITS

- Demand optimized illumination due to flexible and programmable sensor
- Easy configuration of sensor range, daylight and motion detection via rotary switch
- Always-on override, activated via special mains switching pattern
- No upper light output ratio (ULOR 0%) when mounted at 0° tilt
- 5 years guarantee

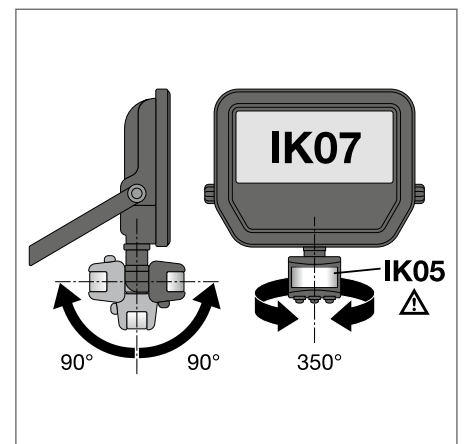
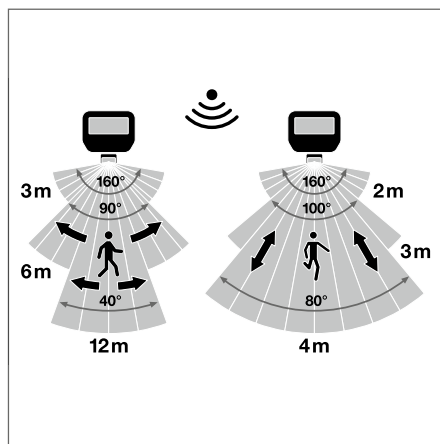
AREAS OF APPLICATION

- Replacement for floodlights with halogen lamps
- Outdoor use (IP65)
- Public areas
- Building facades
- Construction areas

FURTHER PRODUCT DETAILS



FL PFM 50 W 4000 K SYM 100 S BK



¹ Refer to www.ledvance.com/guarantee for precise conditions

The pictures shown in the catalog are for illustration purposes only. For information on size and color, please refer to the product table.

Product name	Segmentation	GTIN (EAN)	RE- PLACE- MENT FOR	W	lm	lm/W	K	L70 ²	L80 ²
FL PFM 10 W 3000 K SYM 100 S BK	■	4058075460836	80 W HAL	10	1100	110	3000	70 000	55 000
FL PFM 10 W 3000 K SYM 100 S WT	■	4058075460850	80 W HAL	10	1100	110	3000	70 000	55 000
FL PFM 10 W 4000 K SYM 100 S BK	■	4058075460874	80 W HAL	10	1200	120	4000	70 000	55 000
FL PFM 10 W 4000 K SYM 100 S WT	■	4058075460898	80 W HAL	10	1200	120	4000	70 000	55 000
FL PFM 20 W 3000 K SYM 100 S BK	■	4058075460911	160 W HAL	20	2200	110	3000	70 000	55 000
FL PFM 20 W 3000 K SYM 100 S WT	■	4058075460935	160 W HAL	20	2200	110	3000	70 000	55 000
FL PFM 20 W 4000 K SYM 100 S BK	■	4058075460959	160 W HAL	20	2400	120	4000	70 000	55 000
FL PFM 20 W 4000 K SYM 100 S WT	■	4058075460973	160 W HAL	20	2400	120	4000	70 000	55 000
FL PFM 50 W 3000 K SYM 100 S BK	■	4058075460997	400 W HAL	50	5500	110	3000	70 000	55 000
FL PFM 50 W 3000 K SYM 100 S WT	■	4058075461017	400 W HAL	50	5500	110	3000	70 000	55 000
FL PFM 50 W 4000 K SYM 100 S BK	■	4058075461031	400 W HAL	50	6000	120	4000	70 000	55 000
FL PFM 50 W 4000 K SYM 100 S WT	■	4058075461055	400 W HAL	50	6000	120	4000	70 000	55 000

Product name	RE- PLACE- MENT FOR	CRI	IK	9	CABLE LENGTH (mm)	L × W × H [mm] Ø × H [mm]
FL PFM 10 W 3000 K SYM 100 S BK	100 × 100	≥ 80	IK07	440	1 000	159 × 131 × 53
FL PFM 10 W 3000 K SYM 100 S WT	100 × 100	≥ 80	IK07	440	1 000	159 × 131 × 53
FL PFM 10 W 4000 K SYM 100 S BK	100 × 100	≥ 80	IK07	440	1 000	159 × 131 × 53
FL PFM 10 W 4000 K SYM 100 S WT	100 × 100	≥ 80	IK07	440	1 000	159 × 131 × 53
FL PFM 20 W 3000 K SYM 100 S BK	100 × 100	≥ 80	IK07	570	1 000	176 × 156 × 55
FL PFM 20 W 3000 K SYM 100 S WT	100 × 100	≥ 80	IK07	570	1 000	176 × 156 × 55
FL PFM 20 W 4000 K SYM 100 S BK	100 × 100	≥ 80	IK07	570	1 000	176 × 156 × 55
FL PFM 20 W 4000 K SYM 100 S WT	100 × 100	≥ 80	IK07	570	1 000	176 × 156 × 55
FL PFM 50 W 3000 K SYM 100 S BK	100 × 100	≥ 80	IK07	1 060	1 000	225 × 219 × 59
FL PFM 50 W 3000 K SYM 100 S WT	100 × 100	≥ 80	IK07	1 060	1 000	225 × 219 × 59
FL PFM 50 W 4000 K SYM 100 S BK	100 × 100	≥ 80	IK07	1 060	1 000	225 × 219 × 59
FL PFM 50 W 4000 K SYM 100 S WT	100 × 100	≥ 80	IK07	1 060	1 000	225 × 219 × 59

SENSOR PROPERTIES

Product name	Type of sensor	Sensor technology	Detection threshold of daylight sensor	Detection range of motion sensor	Sensor detection angle	Sensor controlled switching time
FLOODLIGHT SENSOR 10 W	Motion/Light	Passive infrared/Photocell	10...2000 lx	2...12 m	40°...160 °	10 s...12 min
FLOODLIGHT SENSOR 20 W	Motion/Light	Passive infrared/Photocell	10...2000 lx	2...12 m	40°...160 °	10 s...12 min
FLOODLIGHT SENSOR 50 W	Motion/Light	Passive infrared/Photocell	10...2000 lx	2...12 m	40°...160 °	10 s...12 min

² t[h]: L70/B50 @ 25 °C (T_a) / t[h]: L80/B10 @ 25 °C (T_a)

FLOODLIGHT PHOTOCELL

Floodlight with daylight sensor



PRODUCT FEATURES

- Aluminum housing with toughened glass, black
- Integrated photocell daylight sensor, auto on <math>< 35 \text{ lx}</math>, auto off $> 95 \text{ lx}$
- Symmetrical beam angle: $100^\circ \times 100^\circ$
- Mounting bracket with 30° angle and wide rotation
- Connection via flexible 1 m cable, wiring required

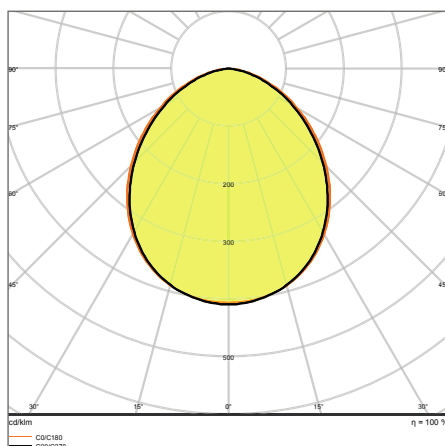
PRODUCT BENEFITS

- Automatically switches on and off according to the amount of available daylight thanks to photocell light sensor
- Always-on override, activated via special mains switching pattern
- No upper light output ratio (ULOR 0 %) when mounted at 0° tilt
- Impact resistance: IK08 (IK08 photocell sensor)
- 5 years guarantee

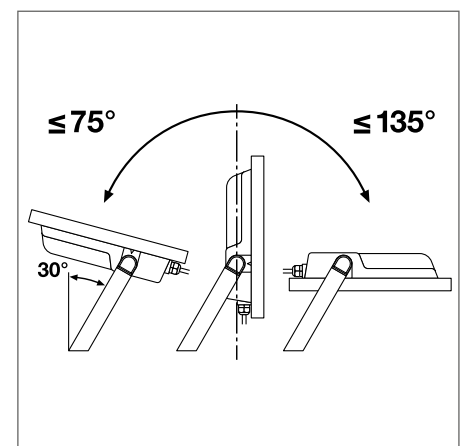
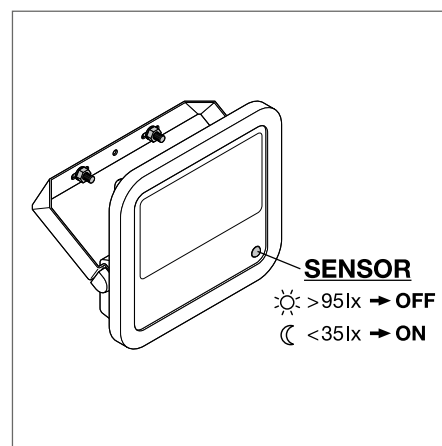
AREAS OF APPLICATION

- Replacement for floodlights with halogen lamps
- Outdoor use (IP65)
- Industry
- Public areas
- Construction areas

FURTHER PRODUCT DETAILS



FL PFM 200 W 4000 K SYM 100 SL BK



¹ Refer to www.ledvance.com/guarantee for precise conditions

The pictures shown in the catalog are for illustration purposes only. For information on size and color, please refer to the product table.

Product name	Segmentation	GTIN (EAN)	RE- PLACE- MENT FOR	W	lm	lm/W	K	L70 ²	L80 ²
FL PFM 65 W 4000 K SYM 100 SL BK	■	4058075461093	500W HAL	65	8000	125	4000	70 000	55 000
FL PFM 80 W 4000 K SYM 100 SL BK	■	4058075461130	750W HAL	80	10 000	125	4000	70 000	55 000
FL PFM 125 W 4000 K SYM 100 SL BK	■	4058075461161	1 000W HAL	125	15 000	125	4000	70 000	55 000
FL PFM 165 W 4000 K SYM 100 SL BK	■	4058075461185	1 500W HAL	165	20 000	125	4000	70 000	55 000
FL PFM 200 W 4000 K SYM 100 SL BK	■	4058075461208	2 000W HAL	200	25 000	125	4000	70 000	55 000

Product name								L × W × H [mm] Ø × H [mm]
FL PFM 65 W 4000 K SYM 100 SL BK		100 × 100	≥ 80	–	IK08	2 100	1 000	268 × 237 × 49
FL PFM 80 W 4000 K SYM 100 SL BK		100 × 100	≥ 80	–	IK08	2 800	1 000	335 × 250 × 55
FL PFM 125 W 4000 K SYM 100 SL BK		100 × 100	≥ 80	< 5 %	IK08	3 800	1 000	381 × 290 × 59
FL PFM 165 W 4000 K SYM 100 SL BK		100 × 100	≥ 80	< 5 %	IK08	4 800	1 000	418 × 322 × 60
FL PFM 200 W 4000 K SYM 100 SL BK		100 × 100	≥ 80	< 5 %	IK08	6 000	1 000	454 × 354 × 62

SENSOR PROPERTIES

Product name	Type of sensor	Sensor technology	Detection threshold of daylight sensor
FLOODLIGHT PHOTOCELL 65 W	Light	Photocell	35...95 lx
FLOODLIGHT PHOTOCELL 80 W	Light	Photocell	35...95 lx
FLOODLIGHT PHOTOCELL 125 W	Light	Photocell	35...95 lx
FLOODLIGHT PHOTOCELL 165 W	Light	Photocell	35...95 lx
FLOODLIGHT PHOTOCELL 200 W	Light	Photocell	35...95 lx

² t[h]: L70/B50 @ 25 °C (T_a) / t[h]: L80/B10 @ 25 °C (T_a)

FLOODLIGHT COMPACT

Floodlight with reflector based, symmetric light distribution



PRODUCT FEATURES

- Luminaire efficacy: up to 100 lm/W
- Symmetrical beam angle: 100° x 100°
- Mounting bracket with 30° angle and wide rotation area
- Flexible motion and daylight sensor
- Sensor with 350° pan and 180° tilt

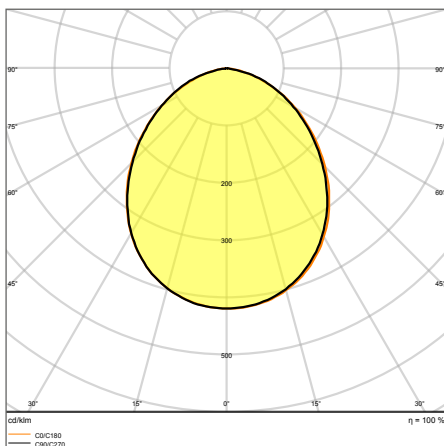
PRODUCT BENEFITS

- Robust, yet light and compact design
- Safe and very uniform illumination, due to frosted and tempered glass diffuser
- No upper light output ratio (ULOR 0%) when mounted at 0° tilt
- Demand optimized illumination due to flexible and programmable sensor
- Easy adjustment of sensor range, daylight detection and hold time

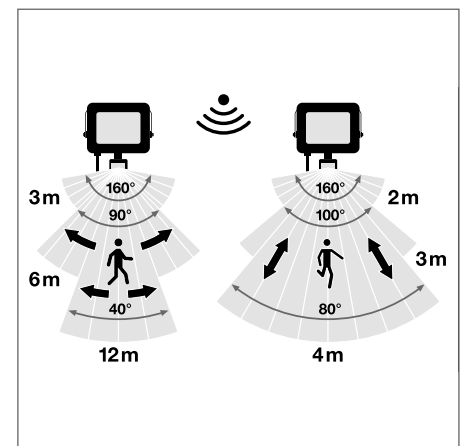
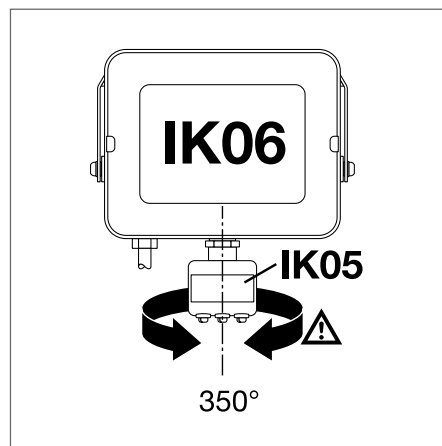
AREAS OF APPLICATION

- Replacement for floodlights with halogen lamps
- Outdoor use (IP65)
- Public areas
- Building facades
- Construction areas

FURTHER PRODUCT DETAILS



FL COMP V 135W 840 SYM 100 BK



¹ Refer to www.ledvance.com/guarantee for precise conditions | ² Versions with sensor available

The pictures shown in the catalog are for illustration purposes only. For information on size and color, please refer to the product table.

FLOODLIGHT COMPACT

Floodlight with reflector based, symmetric light distribution

Product name	Segmentation	GTIN (EAN)	RE-PLACEMENT FOR	W	lm	lm/W	K	L70 ³	L80 ³
NEW FL COMP V 10W 830 SYM 100 BK	■	4058075574557	80W HAL	10	900	90	3000	50 000	35 000
NEW FL COMP V 10W 830 SYM 100 WT	■	4058075574571	80W HAL	10	900	90	3000	50 000	35 000
NEW FL COMP V 10W 840 SYM 100 BK	■	4058075574595	80W HAL	10	1000	100	4000	50 000	35 000
NEW FL COMP V 10W 840 SYM 100 WT	■	4058075574618	80W HAL	10	1000	100	4000	50 000	35 000
NEW FL COMP V 10W 865 SYM 100 BK	■	4058075574656	80W HAL	10	1000	100	6500	50 000	35 000
NEW FL COMP V 10W 865 SYM 100 WT	■	4058075574694	80W HAL	10	1000	100	6500	50 000	35 000
NEW FL COMP V 20W 830 SYM 100 BK	■	4058075574731	160W HAL	20	1800	90	3000	50 000	35 000
NEW FL COMP V 20W 830 SYM 100 WT	■	4058075574755	160W HAL	20	1800	90	3000	50 000	35 000
NEW FL COMP V 20W 840 SYM 100 BK	■	4058075574779	160W HAL	20	2000	100	4000	50 000	35 000
NEW FL COMP V 20W 840 SYM 100 WT	■	4058075574793	160W HAL	20	2000	100	4000	50 000	35 000
NEW FL COMP V 20W 865 SYM 100 BK	■	4058075574816	160W HAL	20	2000	100	6500	50 000	35 000
NEW FL COMP V 20W 865 SYM 100 WT	■	4058075574830	160W HAL	20	2000	100	6500	50 000	35 000
NEW FL COMP V 50W 830 SYM 100 BK	■	4058075574854	400W HAL	50	4500	90	3000	50 000	35 000
NEW FL COMP V 50W 830 SYM 100 WT	■	4058075574878	400W HAL	50	4500	90	3000	50 000	35 000
NEW FL COMP V 50W 840 SYM 100 BK	■	4058075574892	400W HAL	50	5000	100	4000	50 000	35 000
NEW FL COMP V 50W 840 SYM 100 WT	■	4058075574915	400W HAL	50	5000	100	4000	50 000	35 000
NEW FL COMP V 50W 865 SYM 100 BK	■	4058075574939	400W HAL	50	5000	100	6500	50 000	35 000
NEW FL COMP V 50W 865 SYM 100 WT	■	4058075574960	400W HAL	50	5000	100	6500	50 000	35 000
NEW FL COMP V 90W 830 SYM 100 BK	■	4058075574984	750W HAL	90	8100	90	3000	50 000	35 000
NEW FL COMP V 90W 840 SYM 100 BK	■	4058075575004	750W HAL	90	9000	100	4000	50 000	35 000
NEW FL COMP V 90W 865 SYM 100 BK	■	4058075575080	750W HAL	90	9000	100	6500	50 000	35 000
NEW FL COMP V 135W 830 SYM 100 BK	■	4058075575103	1000W HAL	135	12150	90	3000	50 000	35 000
NEW FL COMP V 135W 840 SYM 100 BK	■	4058075575127	1000W HAL	135	13500	100	4000	50 000	35 000
NEW FL COMP V 135W 865 SYM 100 BK	■	4058075575141	1000W HAL	135	13500	100	6500	50 000	35 000
NEW FL COMP V 180 W 830 SYM 100 BK	■	4058075575165	1500W HAL	180	16800	90	3000	50 000	35 000
NEW FL COMP V 180W 840 SYM 100 BK	■	4058075575189	1500W HAL	180	18000	100	4000	50 000	35 000
NEW FL COMP V 180W 865 SYM 100 BK	■	4058075575202	1500W HAL	180	18000	100	6500	50 000	35 000

Product name	Beam angle	CRI	FLICKER VALUE	IK	IP	CABLE LENGTH [mm]	L x W x H [mm]	Ø x H [mm]
NEW FL COMP V 10W 830 SYM 100 BK	100 x 100	≥ 80	< 10 %	IK06	280	1 000	114 x 109 x 29	
NEW FL COMP V 10W 830 SYM 100 WT	100 x 100	≥ 80	< 10 %	IK06	280	1 000	114 x 109 x 29	
NEW FL COMP V 10W 840 SYM 100 BK	100 x 100	≥ 80	< 10 %	IK06	280	1 000	114 x 109 x 29	
NEW FL COMP V 10W 840 SYM 100 WT	100 x 100	≥ 80	< 10 %	IK06	280	1 000	114 x 109 x 29	
NEW FL COMP V 10W 865 SYM 100 BK	100 x 100	≥ 80	< 10 %	IK06	280	1 000	114 x 109 x 29	
NEW FL COMP V 10W 865 SYM 100 WT	100 x 100	≥ 80	< 10 %	IK06	280	1 000	114 x 109 x 29	
NEW FL COMP V 20W 830 SYM 100 BK	100 x 100	≥ 80	< 10 %	IK06	320	1 000	124 x 122 x 29	
NEW FL COMP V 20W 830 SYM 100 WT	100 x 100	≥ 80	< 10 %	IK06	320	1 000	124 x 122 x 29	
NEW FL COMP V 20W 840 SYM 100 BK	100 x 100	≥ 80	< 10 %	IK06	320	1 000	124 x 122 x 29	
NEW FL COMP V 20W 840 SYM 100 WT	100 x 100	≥ 80	< 10 %	IK06	320	1 000	124 x 122 x 29	
NEW FL COMP V 20W 865 SYM 100 BK	100 x 100	≥ 80	< 10 %	IK06	320	1 000	124 x 122 x 29	
NEW FL COMP V 20W 865 SYM 100 WT	100 x 100	≥ 80	< 10 %	IK06	320	1 000	124 x 122 x 29	
NEW FL COMP V 50W 830 SYM 100 BK	100 x 100	≥ 80	< 10 %	IK06	560	1 000	160 x 170 x 36	
NEW FL COMP V 50W 830 SYM 100 WT	100 x 100	≥ 80	< 10 %	IK06	560	1 000	160 x 170 x 36	
NEW FL COMP V 50W 840 SYM 100 BK	100 x 100	≥ 80	< 10 %	IK06	560	1 000	160 x 170 x 36	
NEW FL COMP V 50W 840 SYM 100 WT	100 x 100	≥ 80	< 10 %	IK06	560	1 000	160 x 170 x 36	
NEW FL COMP V 50W 865 SYM 100 BK	100 x 100	≥ 80	< 10 %	IK06	560	1 000	160 x 170 x 36	
NEW FL COMP V 50W 865 SYM 100 WT	100 x 100	≥ 80	< 10 %	IK06	560	1 000	160 x 170 x 36	
NEW FL COMP V 90W 830 SYM 100 BK	100 x 100	≥ 80	< 10 %	IK08	1520	1 000	236 x 255 x 40	
NEW FL COMP V 90W 840 SYM 100 BK	100 x 100	≥ 80	< 10 %	IK08	1520	1 000	236 x 255 x 40	
NEW FL COMP V 90W 865 SYM 100 BK	100 x 100	≥ 80	< 10 %	IK08	1520	1 000	236 x 255 x 40	
NEW FL COMP V 135W 830 SYM 100 BK	100 x 100	≥ 80	< 10 %	IK08	2210	1 000	274 x 305 x 48	
NEW FL COMP V 135W 840 SYM 100 BK	100 x 100	≥ 80	< 10 %	IK08	2210	1 000	274 x 305 x 48	
NEW FL COMP V 135W 865 SYM 100 BK	100 x 100	≥ 80	< 10 %	IK08	2210	1 000	274 x 305 x 48	
NEW FL COMP V 180W 830 SYM 100 BK	100 x 100	≥ 80	< 10 %	IK08	2910	1 000	300 x 340 x 55	
NEW FL COMP V 180W 840 SYM 100 BK	100 x 100	≥ 80	< 10 %	IK08	2910	1 000	300 x 340 x 55	
NEW FL COMP V 180W 865 SYM 100 BK	100 x 100	≥ 80	< 10 %	IK08	2910	1 000	300 x 340 x 55	

³ t[h]: L70/B50 @ 25 °C (T_a) / t[h]: L80/B10 @ 25 °C (T_a)

FLOODLIGHT COMPACT SENSOR

Floodlight with motion and daylight sensor

Product name	Segmentation	GTIN (EAN)	RE-PLACEMENT FOR	W	lm	lm/W	K	L70 ³	L80 ³
NEW FL COMP SEN V 10W 830 SYM 100 BK	■	4058075575226	80 W HAL	10	900	90	3000	50 000	35 000
NEW FL COMP SEN V 10W 840 SYM 100 BK	■	4058075575240	80 W HAL	10	1000	100	4000	50 000	35 000
NEW FL COMP SEN V 20W 830 SYM 100 BK	■	4058075575264	160 W HAL	20	1800	90	3000	50 000	35 000
NEW FL COMP SEN V 20W 840 SYM 100 BK	■	4058075575288	160 W HAL	20	2000	100	4000	50 000	35 000
NEW FL COMP SEN V 50W 830 SYM 100 BK	■	4058075575301	400 W HAL	50	4500	90	3000	50 000	35 000
NEW FL COMP SEN V 50W 840 SYM 100 BK	■	4058075575325	400 W HAL	50	5000	100	4000	50 000	35 000

Product name								L x W x H [mm] Ø x H [mm]
NEW FL COMP SEN V 10W 830 SYM 100 BK		100 x 100	≥80	<10 %	IK06	330	1 000	153 x 109 x 53
NEW FL COMP SEN V 10W 840 SYM 100 BK		100 x 100	≥80	<10 %	IK06	330	1 000	153 x 109 x 53
NEW FL COMP SEN V 20W 830 SYM 100 BK		100 x 100	≥80	<10 %	IK06	380	1 000	165 x 122 x 53
NEW FL COMP SEN V 20W 840 SYM 100 BK		100 x 100	≥80	<10 %	IK06	380	1 000	165 x 122 x 53
NEW FL COMP SEN V 50W 830 SYM 100 BK		100 x 100	≥80	<10 %	IK06	630	1 000	202 x 170 x 60
NEW FL COMP SEN V 50W 840 SYM 100 BK		100 x 100	≥80	<10 %	IK06	630	1 000	202 x 170 x 60

SENSOR PROPERTIES

Product name	Type of sensor	Sensor technology	Detection threshold of daylight sensor	Detection range of motion sensor	Sensor detection angle	Sensor controlled switching time
FLOODLIGHT COMPACT SENSOR 10W	Motion/Light	Passive infrared/Photocell	10...2000 lx	2...12 m	40°...160 °	10 s...12 min
FLOODLIGHT COMPACT SENSOR 20W	Motion/Light	Passive infrared/Photocell	10...2000 lx	2...12 m	40°...160 °	10 s...12 min
FLOODLIGHT COMPACT SENSOR 50W	Motion/Light	Passive infrared/Photocell	10...2000 lx	2...12 m	40°...160 °	10 s...12 min

³ t[h]: L70/B50 @ 25 °C (T_a) / t[h]: L80/B10 @ 25 °C (T_a)



FLOODLIGHT MAX LUMINAIRE HEAD

High-power floodlight for large area and sports lighting



PRODUCT FEATURES

- Modular, high-power floodlight with up to 137 lm/W
- Joint or separate installation possible with Floodlight Max power supply
- Available with 10°, 30° and 60° symmetric beam angles, and 50° × 110° asymmetric light distribution
- Mounting bracket for up to 180° tilting
- Highly-transparent, tempered glass diffuser

PRODUCT BENEFITS

- Very bright, robust and durable
- Energy savings of up to 45% compared to luminaires that use conventional discharge lamps
- Easy dimming up to 50% by wiring
- No upper light output ratio (ULOR 0%) when mounted at 0° tilt
- 5 years guarantee

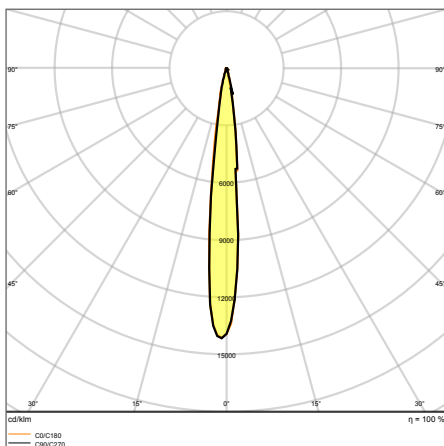
AREAS OF APPLICATION

- Outdoor use (IP66)
- Lighting of large areas
- Sports facilities
- Construction areas
- Direct replacement for luminaires using HID lamps

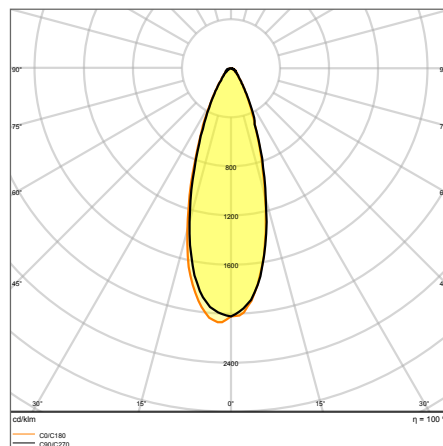
EQUIPMENT / ACCESSORIES

- Operation only with separately available official matching power supply

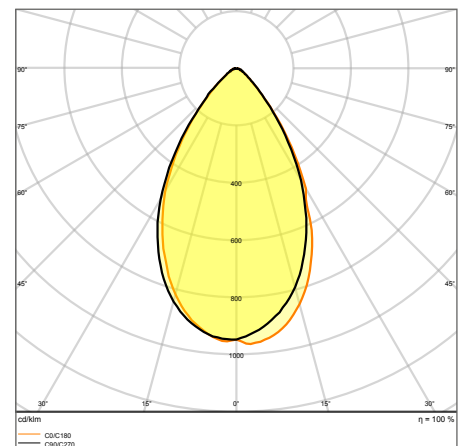
FURTHER PRODUCT DETAILS



FL MAX LUM P 600W 757 SYM 10 WAL



FL MAX LUM P 600W 757 SYM 30 WAL

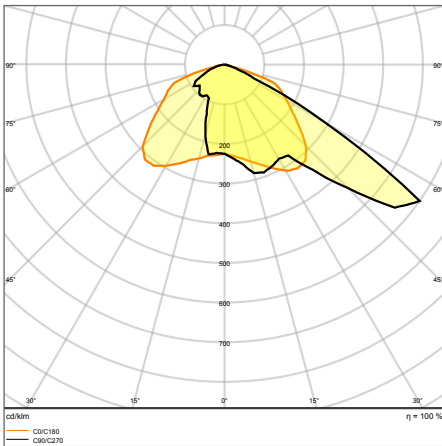


FL MAX LUM P 600W 757 SYM 60 WAL

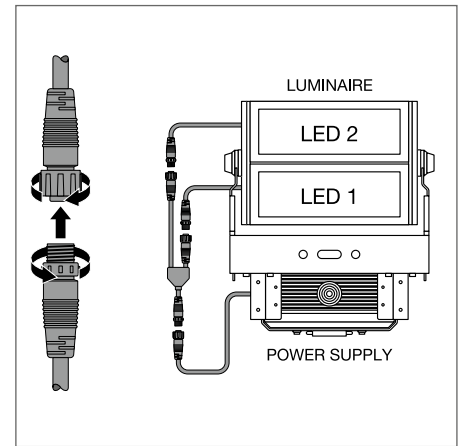
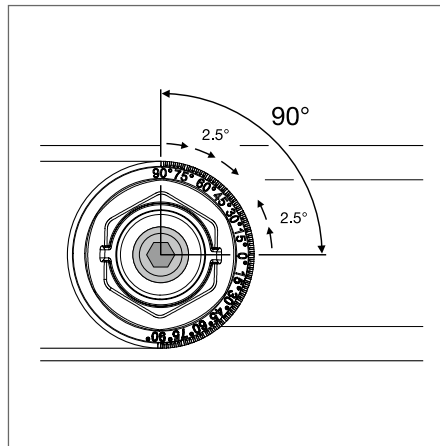
¹ Refer to www.ledvance.com/guarantee for precise conditions

The pictures shown in the catalog are for illustration purposes only. For information on size and color, please refer to the product table.

FURTHER PRODUCT DETAILS



FL MAX LUM P 600W 757 ASYM50x110WAL



FLOODLIGHT MAX SYM 10

High-power floodlight with 10° symmetric light distribution for large area and sports lighting

Product name	Segmentation	GTIN (EAN)	W	lm	lm/W	K	L70 ²	L80 ²
NEW FL MAX LUM P 600W 757 SYM 10 WAL	■	4058075580589	600	78 000	130	5 700	100 000	75 000
NEW FL MAX LUM P 900W 757 SYM 10 WAL	■	4058075580626	900	117 000	130	5 700	100 000	75 000
NEW FL MAX LUM P 1200W 757 SYM 10 WAL	■	4058075580664	1200	155 000	129	5 700	100 000	75 000

Product name	Beam angle	CRI	FLICKER VALUE	IK	Person icon	L x W x H [mm] Ø x H [mm]	Light bulb icon No.
NEW FL MAX LUM P 600W 757 SYM 10 WAL	10	≥ 70	< 3%	IK08	15 800	472 x 591 x 279	1
NEW FL MAX LUM P 900W 757 SYM 10 WAL	10	≥ 70	< 3%	IK08	20 800	660 x 591 x 279	2
NEW FL MAX LUM P 1200W 757 SYM 10 WAL	10	≥ 70	< 3%	IK08	31 900	841 x 591 x 282	3

FLOODLIGHT MAX SYM 30

High-power floodlight with 30° symmetric light distribution for large area and sports lighting

Product name	Segmentation	GTIN (EAN)	W	lm	lm/W	K	L70 ²	L80 ²
NEW FL MAX LUM P 600W 757 SYM 30 WAL	■	4058075580596	600	81 000	135	5 700	100 000	75 000
NEW FL MAX LUM P 900W 757 SYM 30 WAL	■	4058075580633	900	121 000	134	5 700	100 000	75 000
NEW FL MAX LUM P 1200W 757 SYM 30 WAL	■	4058075580671	1200	162 000	135	5 700	100 000	75 000

Product name	Beam angle	CRI	FLICKER VALUE	IK	Person icon	L x W x H [mm] Ø x H [mm]	Light bulb icon No.
NEW FL MAX LUM P 600W 757 SYM 30 WAL	30	≥ 70	< 3%	IK08	15 800	472 x 591 x 279	1
NEW FL MAX LUM P 900W 757 SYM 30 WAL	30	≥ 70	< 3%	IK08	20 800	660 x 591 x 279	2
NEW FL MAX LUM P 1200W 757 SYM 30 WAL	30	≥ 70	< 3%	IK08	31 900	841 x 591 x 282	3

² t[h]: L70/B50 @ 25 °C (T_a) / t[h]: L80/B10 @ 25 °C (T_a)

FLOODLIGHT MAX SYM 60

High-power floodlight with 60° symmetric light distribution for large area and sports lighting

Product name	Segmentation	GTIN (EAN)	W	lm	lm/W	K	L70 ²	L80 ²
NEW FL MAX LUM P 600W 757 SYM 60 WAL	■	4058075580602	600	80 500	134	5 700	100 000	75 000
NEW FL MAX LUM P 900W 757 SYM 60 WAL	■	4058075580640	900	120 000	133	5 700	100 000	75 000
NEW FL MAX LUM P 1200W 757 SYM 60 WAL	■	4058075580688	1 200	161 000	134	5 700	100 000	75 000

Product name	Beam angle	CRI	FLICKER VALUE	IK	IP	L x W x H [mm] Ø x H [mm]	No.
NEW FL MAX LUM P 600W 757 SYM 60 WAL	60	≥ 70	< 3 %	IK08	15 800	472 x 591 x 279	1
NEW FL MAX LUM P 900W 757 SYM 60 WAL	60	≥ 70	< 3 %	IK08	20 800	660 x 591 x 279	2
NEW FL MAX LUM P 1200W 757 SYM 60 WAL	60	≥ 70	< 3 %	IK08	31 900	841 x 591 x 282	3

FLOODLIGHT MAX ASYM 50 × 110

High-power floodlight with 50° × 110° asymmetric light distribution for large area and sports lighting

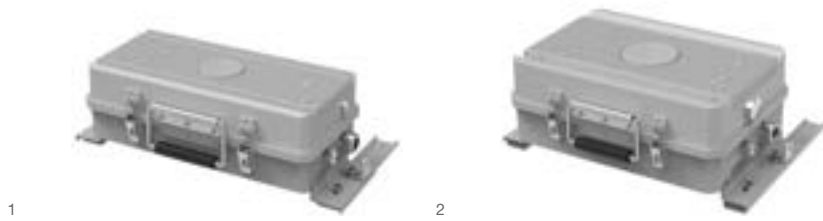
Product name	Segmentation	GTIN (EAN)	W	lm	lm/W	K	L70 ²	L80 ²
NEW FL MAX LUM P 600W 757 ASYM 50x110 WAL	■	4058075580619	600	82 000	137	5 700	100 000	75 000
NEW FL MAX LUM P 900W 757 ASYM 50x110 WAL	■	4058075580657	900	123 000	137	5 700	100 000	75 000
NEW FL MAX LUM P 1200W 757 ASYM 50x110 WAL	■	4058075580695	1 200	164 000	137	5 700	100 000	75 000

Product name	Beam angle	CRI	FLICKER VALUE	IK	IP	L x W x H [mm] Ø x H [mm]	No.
NEW FL MAX LUM P 600W 757 ASYM 50x110 WAL	50 × 110	≥ 70	< 3 %	IK08	15 800	472 x 591 x 279	1
NEW FL MAX LUM P 900W 757 ASYM 50x110 WAL	50 × 110	≥ 70	< 3 %	IK08	20 800	660 x 591 x 279	2
NEW FL MAX LUM P 1200W 757 ASYM 50x110 WAL	50 × 110	≥ 70	< 3 %	IK08	31 900	841 x 591 x 282	3

² t[h]: L70/B50 @ 25 °C (T_a) / t[h]: L80/B10 @ 25 °C (T_a)

FLOODLIGHT MAX POWER SUPPLY

Power supplies for FLOODLIGHT MAX luminaires



PRODUCT FEATURES

- Power supply for Floodlight Max luminaire heads
- Joint or separate installation with Floodlight Max luminaire head
- M20 and M25 PG glands for mains cable feed-in
- LED-module wiring by means of pre-installed fast quick release connector
- High surge protection: up to 10 kV (L/N-PE and L-N)

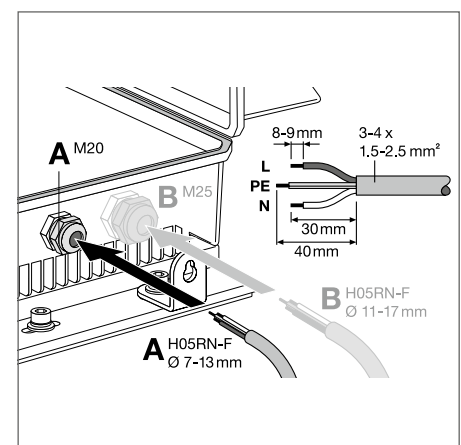
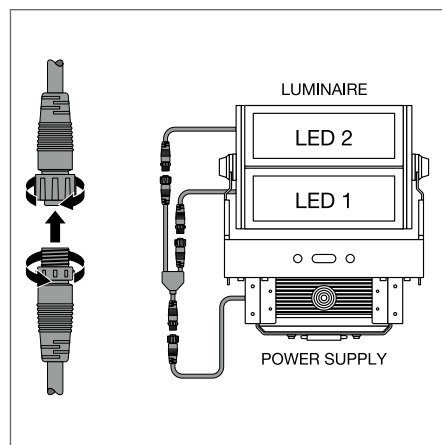
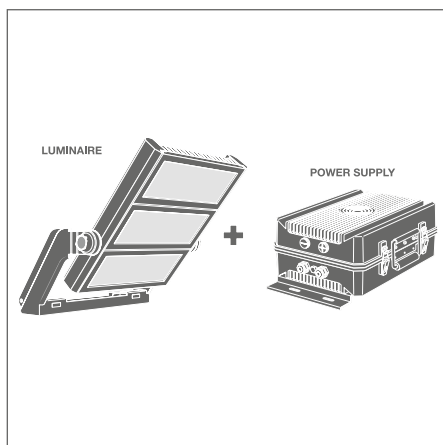
PRODUCT BENEFITS

- Highly robust and durable
- Quick and easy wiring, due to tool-free housing opening
- Optimized logistic, luminaire head and power supply arrive in individual packaging
- 5 years guarantee

AREAS OF APPLICATION

- Outdoor use (IP66)
- Sports facilities
- Construction areas

FURTHER PRODUCT DETAILS



Product name	GTIN (EAN)	W	IK	Lightbulb icon	L x W x H [mm] Ø x H [mm]	Lightbulb icon No.
NEW FL MAX POWER SUPPLY P 600W WAL	4058075580718	600	IK08	5 400	188 x 447 x 146	1
NEW FL MAX POWER SUPPLY P 900W WAL	4058075580732	900	IK08	10 500	270 x 447 x 166	2
NEW FL MAX POWER SUPPLY P 1200W WAL	4058075580749	1200	IK08	12 600	270 x 447 x 166	2

¹ Refer to www.ledvance.com/guarantee for precise conditions
Floodlight Max Pwer Supplies should only be used to operate official Floodlight Max luminaire heads.

FLOODLIGHT PERFORMANCE

IP66 floodlight with lens based light distribution up to 140 lm/W



PRODUCT FEATURES

- Aluminum die-cast housing, black (similar to RAL 9017) with toughened glass
- Robust design: IP66, IK08, -30° to +50° temperature resistance and surge protection < 10 kV
- Integrated breather for preventing condensation inside the luminaire
- Suitable for locations with fire hazards according to EN 60598-2-24 (D-mark)
- 2 m connection cable with open, crimped wire ends for flexible installation

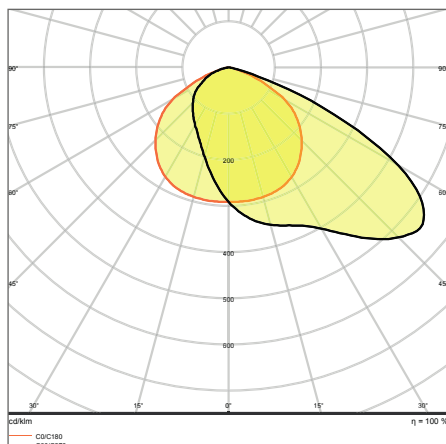
PRODUCT BENEFITS

- Available in 5 power levels, for replacement of traditional luminaires, up to 2000W (HAL)
- Available in 4 light distributions for optimum illumination of a wide range of applications
- Suitable for wall or mast mounting thanks to angled bracket with a great rotation range
- Highly efficient directional light through single lenses, with up to 140 lm/W luminous efficacy
- 5 years guarantee

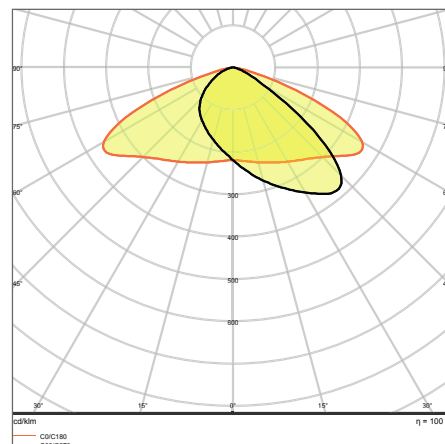
AREAS OF APPLICATION

- Direct replacement for luminaires using HID lamps
- Outdoor use (IP66)
- Public areas
- Industry
- Sports facilities

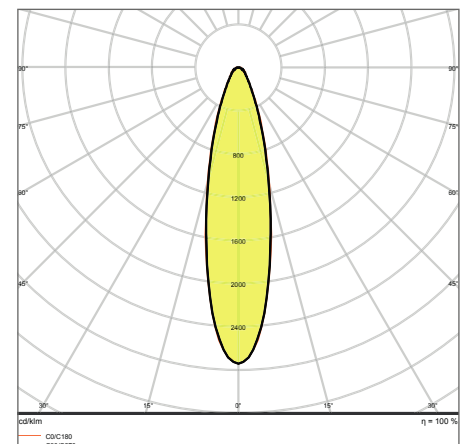
FURTHER PRODUCT DETAILS



FL PFM ASYM 55x110 290W 4000K BK



FL PFM ASYM 45x140 290W 4000K BK

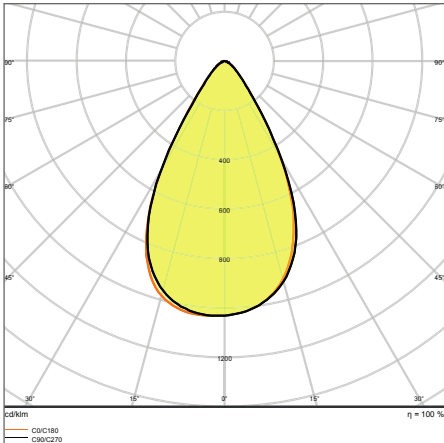


FL PFM SYM R30 290W 4000K BK

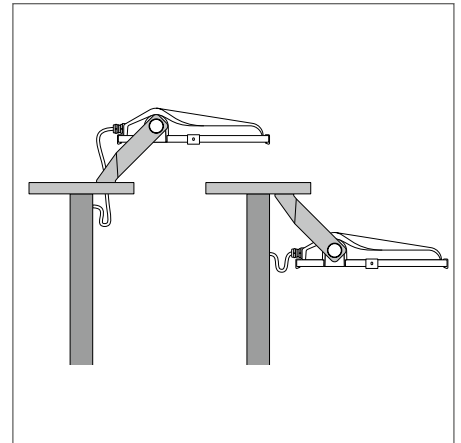
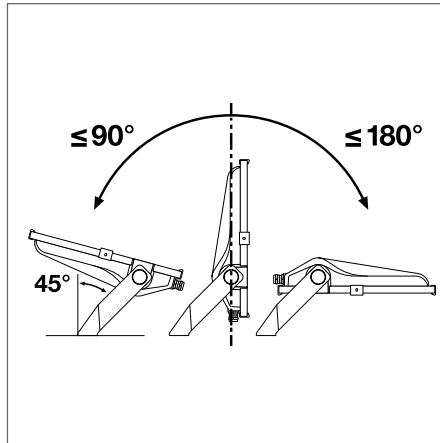
¹ Refer to www.ledvance.com/guarantee for precise conditions

The pictures shown in the catalog are for illustration purposes only. For information on size and color, please refer to the product table.

FURTHER PRODUCT DETAILS



FL PFM SYM 60 290W4000K BK



FLOODLIGHT PERFORMANCE ASYM 55 × 110

Floodlight with wide beam, asymmetric light distribution for various application areas

Product name	Segmentation	GTIN (EAN)	RE- PLACE- MENT FOR	W	lm	lm/W	K	L70 ²	L80 ²
FL PFM ASYM 55x110 50 W 3000 K BK	■	4058075353299	500W HAL	50	5800	115	3000	100000	70000
FL PFM ASYM 55x110 50 W 4000 K BK	■	4058075353305	500W HAL	50	6300	125	4000	100000	70000
FL PFM ASYM 55x110 100 W 3000 K BK	■	4058075353312	1000W HAL	100	11900	120	3000	100000	70000
FL PFM ASYM 55x110 100 W 4000 K BK	■	4058075353527	1000W HAL	100	12900	130	4000	100000	70000
FL PFM ASYM 55x110 150 W 3000 K BK	■	4058075353534	1500W HAL	150	18400	125	3000	100000	70000
FL PFM ASYM 55x110 150 W 4000 K BK	■	4058075353541	1500W HAL	150	19900	135	4000	100000	70000
FL PFM ASYM 55x110 200 W 3000 K BK	■	4058075353558	1500W HAL	200	24400	130	3000	100000	70000
FL PFM ASYM 55x110 200 W 4000 K BK	■	4058075353565	1500W HAL	200	26400	140	4000	100000	70000
FL PFM ASYM 55x110 290 W 3000 K BK	■	4058075353572	2000W HAL	290	35600	125	3000	100000	70000
FL PFM ASYM 55x110 290 W 4000 K BK	■	4058075353602	2000W HAL	290	38500	135	4000	100000	70000

Product name	Beam Angle	CRI	FLICKER VALUE	IK	Person icon	CABLE LENGTH [mm]	L × W × H [mm] Ø × H [mm]
FL PFM ASYM 55x110 50 W 3000 K BK	55 × 110	>80	–	IK08	2600	2000	314 × 240 × 63
FL PFM ASYM 55x110 50 W 4000 K BK	55 × 110	>80	–	IK08	2600	2000	314 × 240 × 63
FL PFM ASYM 55x110 100 W 3000 K BK	55 × 110	>80	<10%	IK08	3900	2000	418 × 330 × 77
FL PFM ASYM 55x110 100 W 4000 K BK	55 × 110	>80	<10%	IK08	3900	2000	418 × 330 × 77
FL PFM ASYM 55x110 150 W 3000 K BK	55 × 110	>80	<10%	IK08	4500	2000	451 × 330 × 77
FL PFM ASYM 55x110 150 W 4000 K BK	55 × 110	>80	<10%	IK08	4500	2000	451 × 330 × 77
FL PFM ASYM 55x110 200 W 3000 K BK	55 × 110	>80	<10%	IK08	6300	2000	494 × 395 × 87
FL PFM ASYM 55x110 200 W 4000 K BK	55 × 110	>80	<10%	IK08	6300	2000	494 × 395 × 87
FL PFM ASYM 55x110 290 W 3000 K BK	55 × 110	>80	<10%	IK08	9500	2000	567 × 465 × 97
FL PFM ASYM 55x110 290 W 4000 K BK	55 × 110	>80	<10%	IK08	9500	2000	567 × 465 × 97

² t[h]: L70/B50 @ 25 °C (T_a) / t[h]: L80/B10 @ 25 °C (T_a)

FLOODLIGHT PERFORMANCE ASYM 45 × 140

Floodlight with very wide beam, asymmetric light distribution for area lighting

Product name	Segmentation	GTIN (EAN)	RE-PLACEMENT FOR	W	lm	lm/W	K	L70 ²	L80 ²
FL PFM ASYM 45x140 50 W 3000 K BK	■	4058075353619	500W HAL	50	5 700	115	3 000	100 000	70 000
FL PFM ASYM 45x140 50 W 4000 K BK	■	4058075353626	500W HAL	50	6 200	125	4 000	100 000	70 000
FL PFM ASYM 45x140 100 W 3000 K BK	■	4058075353633	1 000W HAL	100	11 800	120	3 000	100 000	70 000
FL PFM ASYM 45x140 100 W 4000 K BK	■	4058075353688	1 000W HAL	100	12 800	130	4 000	100 000	70 000
FL PFM ASYM 45x140 150 W 3000 K BK	■	4058075353695	1 500W HAL	150	18 300	120	3 000	100 000	70 000
FL PFM ASYM 45x140 150 W 4000 K BK	■	4058075353701	1 500W HAL	150	19 800	130	4 000	100 000	70 000
FL PFM ASYM 45x140 200 W 3000 K BK	■	4058075353718	1 500W HAL	200	24 200	130	3 000	100 000	70 000
FL PFM ASYM 45x140 200 W 4000 K BK	■	4058075353725	1 500W HAL	200	26 200	140	4 000	100 000	70 000
FL PFM ASYM 45x140 290 W 3000 K BK	■	4058075353732	2 000W HAL	290	35 300	120	3 000	100 000	70 000
FL PFM ASYM 45x140 290 W 4000 K BK	■	4058075353749	2 000W HAL	290	38 200	130	4 000	100 000	70 000

Product name	Beam angle	CRI	FLICKER VALUE	IK	Mounting	CABLE LENGTH [mm]	L × W × H [mm] Ø × H [mm]
FL PFM ASYM 45x140 50 W 3000 K BK	45 × 140	>80	–	IK08	2600	2000	314 × 240 × 63
FL PFM ASYM 45x140 50 W 4000 K BK	45 × 140	>80	–	IK08	2600	2000	314 × 240 × 63
FL PFM ASYM 45x140 100 W 3000 K BK	45 × 140	>80	<10%	IK08	3900	2000	418 × 330 × 77
FL PFM ASYM 45x140 100 W 4000 K BK	45 × 140	>80	<10%	IK08	3900	2000	418 × 330 × 77
FL PFM ASYM 45x140 150 W 3000 K BK	45 × 140	>80	<10%	IK08	4500	2000	451 × 330 × 77
FL PFM ASYM 45x140 150 W 4000 K BK	45 × 140	>80	<10%	IK08	4500	2000	451 × 330 × 77
FL PFM ASYM 45x140 200 W 3000 K BK	45 × 140	>80	<10%	IK08	6300	2000	494 × 395 × 87
FL PFM ASYM 45x140 200 W 4000 K BK	45 × 140	>80	<10%	IK08	6300	2000	494 × 395 × 87
FL PFM ASYM 45x140 290 W 3000 K BK	45 × 140	>80	<10%	IK08	9500	2000	567 × 465 × 97
FL PFM ASYM 45x140 290 W 4000 K BK	45 × 140	>80	<10%	IK08	9500	2000	567 × 465 × 97

FLOODLIGHT PERFORMANCE SYM R30

Floodlight with rotational symmetric light distribution for high mast area lighting

Product name	Segmentation	GTIN (EAN)	RE-PLACEMENT FOR	W	lm	lm/W	K	L70 ²	L80 ²
FL PFM SYM R30 150 W 3000 K BK	■	4058075353756	1 500W HAL	150	18 700	125	3 000	100 000	70 000
FL PFM SYM R30 150 W 4000 K BK	■	4058075353763	1 500W HAL	150	20 200	135	4 000	100 000	70 000
FL PFM SYM R30 200 W 3000 K BK	■	4058075353770	1 500W HAL	200	24 800	130	3 000	100 000	70 000
FL PFM SYM R30 200 W 4000 K BK	■	4058075353787	1 500W HAL	200	26 800	140	4 000	100 000	70 000
FL PFM SYM R30 290 W 3000 K BK	■	4058075353794	2 000W HAL	290	36 200	125	3 000	100 000	70 000
FL PFM SYM R30 290 W 4000 K BK	■	4058075353800	2 000W HAL	290	39 100	135	4 000	100 000	70 000

Product name	Beam angle	CRI	FLICKER VALUE	IK	Mounting	CABLE LENGTH [mm]	L × W × H [mm] Ø × H [mm]
FL PFM SYM R30 150 W 3000 K BK	30	>80	<10%	IK08	4500	2000	451 × 330 × 77
FL PFM SYM R30 150 W 4000 K BK	30	>80	<10%	IK08	4500	2000	451 × 330 × 77
FL PFM SYM R30 200 W 3000 K BK	30	>80	<10%	IK08	6300	2000	494 × 395 × 87
FL PFM SYM R30 200 W 4000 K BK	30	>80	<10%	IK08	6300	2000	494 × 395 × 87
FL PFM SYM R30 290 W 3000 K BK	30	>80	<10%	IK08	9500	2000	567 × 465 × 97
FL PFM SYM R30 290 W 4000 K BK	30	>80	<10%	IK08	9500	2000	567 × 465 × 97

² t[h]: L70/B50 @ 25 °C (T_a) / t[h]: L80/B10 @ 25 °C (T_a)

FLOODLIGHT PERFORMANCE SYM 60

Floodlight with symmetric light distribution for medium to high mast area lighting

Product name	Segmentation	GTIN (EAN)	RE-PLACE-MENT FOR	W	lm	lm/W	K	L70 ²	L80 ²
NEW FL PFM SYM 60 150 W 3000 K BK	■	4058075540989	1500W HAL	150	19 800	132	3000	100 000	70 000
NEW FL PFM SYM 60 150 W 4000 K BK	■	4058075540996	1500W HAL	150	21 000	140	4000	100 000	70 000
NEW FL PFM SYM 60 200 W 3000 K BK	■	4058075541009	1500W HAL	200	26 400	132	3000	100 000	70 000
NEW FL PFM SYM 60 200 W 4000 K BK	■	4058075541016	1500W HAL	200	28 000	140	4000	100 000	70 000
NEW FL PFM SYM 60 290 W 3000 K BK	■	4058075541023	2000W HAL	290	38 300	132	3000	100 000	70 000
NEW FL PFM SYM 60 290 W 4000 K BK	■	4058075541030	2000W HAL	290	40 600	140	4000	100 000	70 000

Product name								L × W × H [mm] Ø × H [mm]
NEW FL PFM SYM 60 150 W 3000 K BK	60 × 60	>80	<10 %	IK08	4500	2000	451 × 330 × 77	
NEW FL PFM SYM 60 150 W 4000 K BK	60 × 60	>80	<10 %	IK08	4500	2000	451 × 330 × 77	
NEW FL PFM SYM 60 200 W 3000 K BK	60 × 60	>80	<10 %	IK08	6300	2000	494 × 395 × 87	
NEW FL PFM SYM 60 200 W 4000 K BK	60 × 60	>80	<10 %	IK08	6300	2000	494 × 395 × 87	
NEW FL PFM SYM 60 290 W 3000 K BK	60 × 60	>80	<10 %	IK08	9500	2000	567 × 465 × 97	
NEW FL PFM SYM 60 290 W 4000 K BK	60 × 60	>80	<10 %	IK08	9500	2000	567 × 465 × 97	

² t[h]: L70/B50 @ 25 °C (T_a) / t[h]: L80/B10 @ 25 °C (T_a)

FLOODLIGHT AREA

Floodlight with lens based asymmetric light distribution up to 140 lm/W



PRODUCT FEATURES

- Asymmetric light distribution: 48° x 92°
- Robust design: IP65, IK08, -30° to +50° temperature resistance, up to 6 kV surge protection (L/N-PE)
- Integrated breather for preventing condensation inside the luminaire
- Pre-installed, flexible 1m cable (H05RN-F)

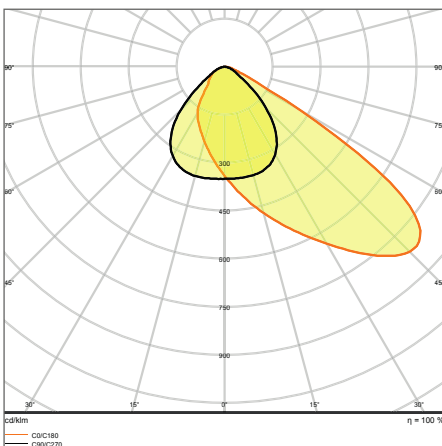
PRODUCT BENEFITS

- Energy savings of up to 90 % compared to halogen lamp floodlights
- Energy savings of up to 45 % compared to luminaires that use conventional discharge lamps
- High light uniformity
- No upper light output ration (ULOR 0 %) when mounted at 0° tilt
- 5 years guarantee

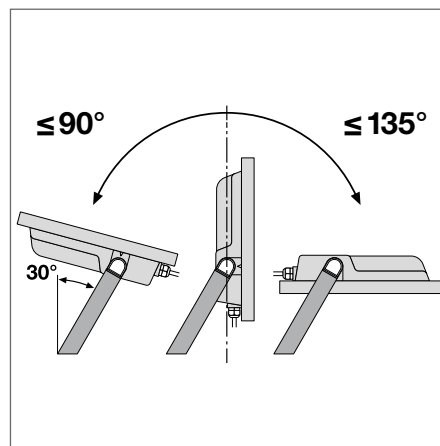
AREAS OF APPLICATION

- Direct replacement for luminaires using HID lamps
- Outdoor use (IP65)
- Public areas & parking
- Industry
- Sports facilities

FURTHER PRODUCT DETAILS



FL AREA 105W 840 ASYM 48X92 BK



¹ Refer to www.ledvance.com/guarantee for precise conditions

The pictures shown in the catalog are for illustration purposes only. For information on size and color, please refer to the product table.

Product name	Segmentation	GTIN (EAN)	RE- PLACE- MENT FOR	W	lm	lm/W	K	L70 ²	L80 ²
NEW FL AREA ASYM 48x92 72 W 3000 K BK	■	4058075539730	750 W HAL	72	9 200	129	3 000	70 000	50 000
NEW FL AREA ASYM 48x92 72 W 4000 K BK	■	4058075539747	750 W HAL	72	10 000	139	4 000	70 000	50 000
NEW FL AREA ASYM 48x92 105 W 3000 K BK	■	4058075539754	1 000 W HAL	105	13 750	132	3 000	70 000	50 000
NEW FL AREA ASYM 48x92 105 W 4000 K BK	■	4058075539761	1 000 W HAL	105	15 000	143	4 000	70 000	50 000
NEW FL AREA ASYM 48x92 145 W 3000 K BK	■	4058075539778	1 500 W HAL	145	18 400	129	3 000	70 000	50 000
NEW FL AREA ASYM 48x92 145 W 4000 K BK	■	4058075539785	1 500 W HAL	145	20 000	138	4 000	70 000	50 000

Product name								L × W × H [mm] Ø × H [mm]
NEW FL AREA ASYM 48x92 72 W 3000 K BK		48 × 92	≥ 80	< 5 %	IK08	3 700	1 000	381 × 290 × 59
NEW FL AREA ASYM 48x92 72 W 4000 K BK		48 × 92	≥ 80	< 5 %	IK08	3 700	1 000	381 × 290 × 59
NEW FL AREA ASYM 48x92 105 W 3000 K BK		48 × 92	≥ 80	< 5 %	IK08	4 800	1 000	418 × 322 × 60
NEW FL AREA ASYM 48x92 105 W 4000 K BK		48 × 92	≥ 80	< 5 %	IK08	4 800	1 000	418 × 322 × 60
NEW FL AREA ASYM 48x92 145 W 3000 K BK		48 × 92	≥ 80	< 5 %	IK08	6 200	1 000	454 × 354 × 62
NEW FL AREA ASYM 48x92 145 W 4000 K BK		48 × 92	≥ 80	< 5 %	IK08	6 200	1 000	454 × 354 × 62

² t[h]: L70/B50 @ 25 °C (T_a) / t[h]: L80/B10 @ 25 °C (T_a)

STREETLIGHTS

BRIGHT AND EFFICIENT LED ILLUMINATION FOR SAFETY ON ROADS, CAR PARKS AND OUTDOOR AREAS

STREETLIGHT FLEX



Page 34

STREETLIGHT FLEX SMALL, MEDIUM & LARGE

PERFORMANCE CLASS



HIGHLY FLEXIBLE AND EFFICIENT STREETLIGHTS

- Modern and durable design for long lasting performance, up to 100 000 h L90B10 (at 25 °C)
- Extremely high efficiency, up to 155 lm/W, for great TCO in many replacement scenarios
- Broad range for wide application fit in road lighting and parking: 7 LED configurations, 3 CCTs, 2 beam angles

STREETLIGHT FLEX ACCESSORIES



Page 40

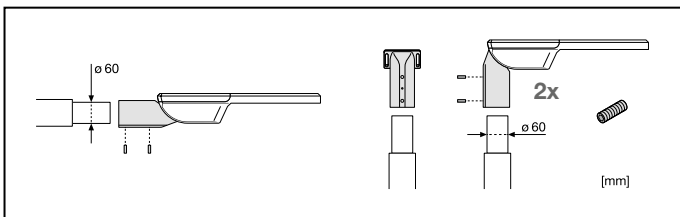
PERFORMANCE CLASS



MOUNTING ACCESSORIES FOR INCREASED VERSATILITY

- Larger pole adapter, suitable for 76 mm poles
- Reduction piece, enabling the standard adapter to be installed on 42 mm poles
- Suitable for all Streetlight Flex types

VERY SIMPLE AND FLEXIBLE INSTALLATION



- Pole adapter for 60 mm pole diameter is included as standard with all Streetlight Flex luminaires
- The flexible design allows for either side-entry or post-top installation of the luminaire



STREETLIGHT FLEX: EFFICIENT, DURABLE, FLEXIBLE

Designed for ease of installation and featuring materials of the highest quality, an extremely long service life and two different light distribution patterns, Streetlight Flex is our efficient and flexible answer to the high demands placed on modern street and parking lot lighting.

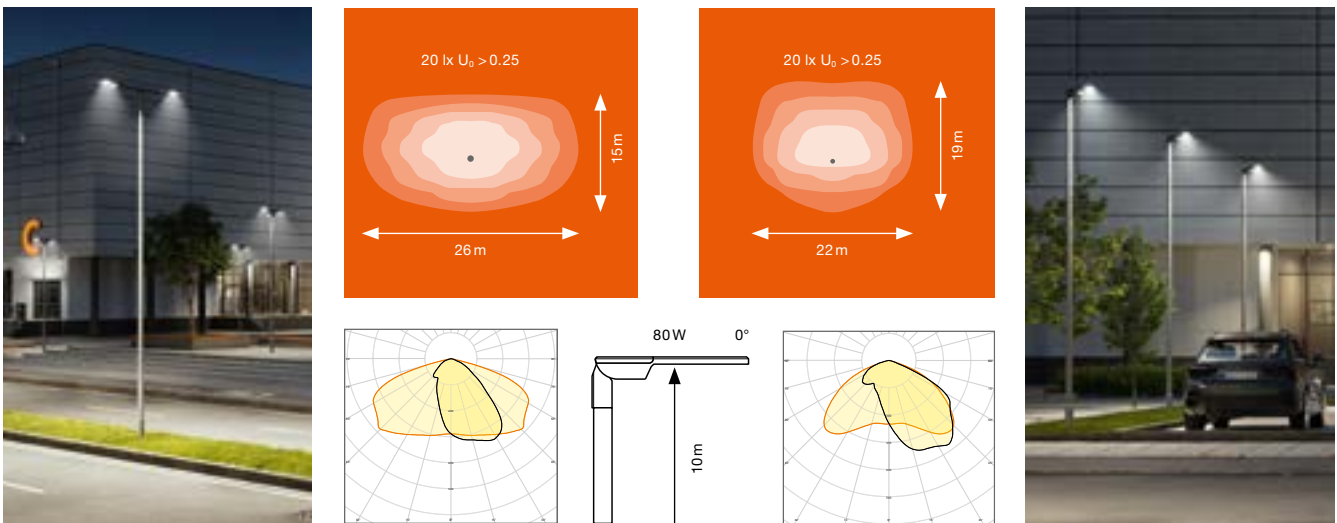
LIGHT DISTRIBUTION OPTIONS

RV25ST light distribution

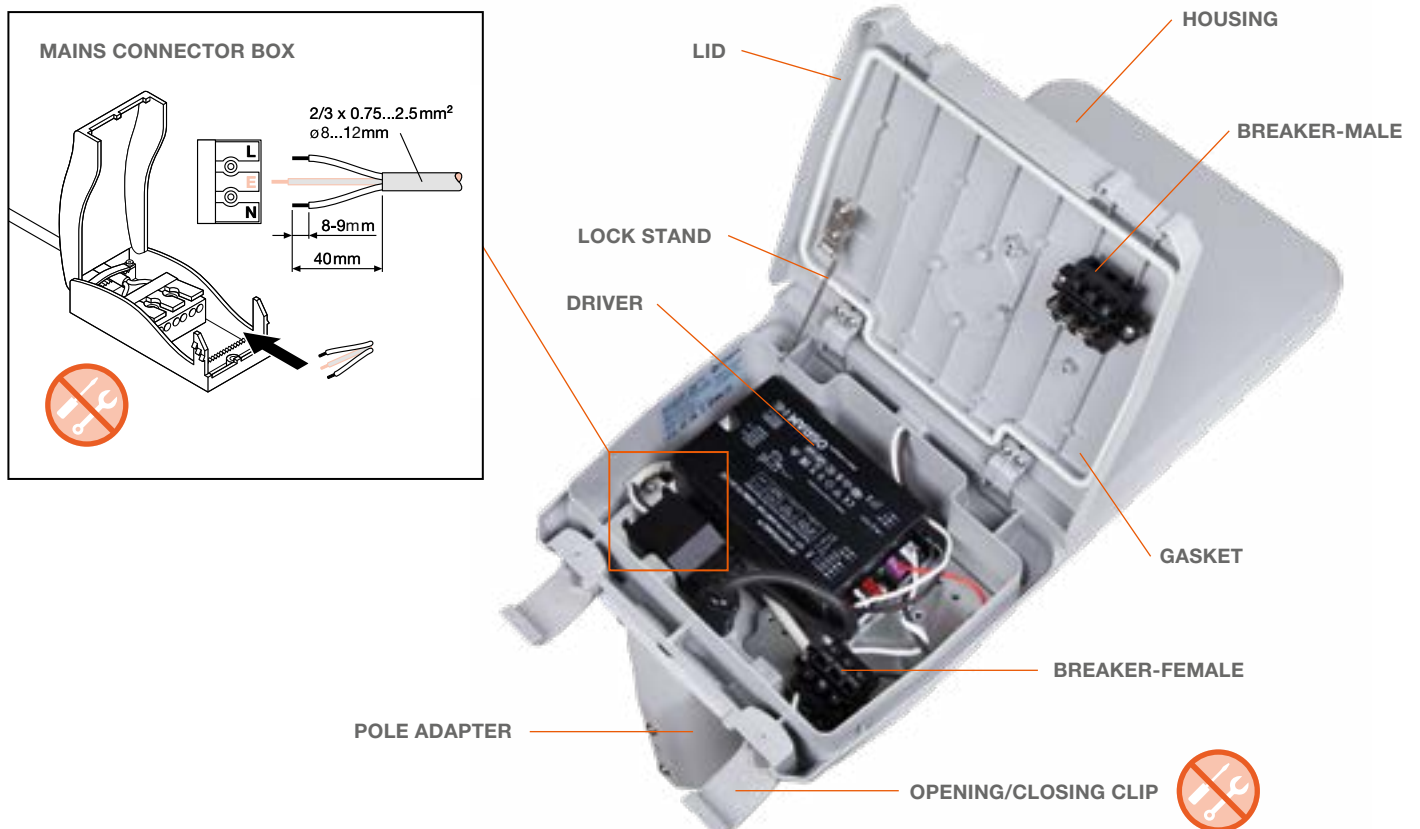
- For normal roads with a typical width equal to or greater than the road height (width approx. 1 to 1.25 x pole height)
- For rectangular-shaped parking areas in front of the pole

RW35ST light distribution

- For very wide roads with road width greater than the pole height
- For square-shaped parking and area lighting in front of the pole



WIRING IS TOOL-FREE, FAST AND CONVENIENT



STREETLIGHT FLEX SMALL

IP66 streetlight with up to 144 lm/W



PRODUCT FEATURES

- High luminous efficacy: up to 144 lm/W
- Very long lifetime (L90/B10): Up to 100 000 h (at 25 °C)
- Spigot included, suitable for 48...60 mm diameter poles
- Adjustable spigot for both side-entry and post-top installation
- +/-15° tilt angle adjustment without opening the housing

PRODUCT BENEFITS

- Durable IP66 & IK08 design and highest quality component selection for long lasting performance
- Easy installation due to tool-free housing opening and push button wiring terminal
- High light uniformity
- No upper light output ratio (ULOR 0 %) when mounted at 0° tilt
- 5 years guarantee

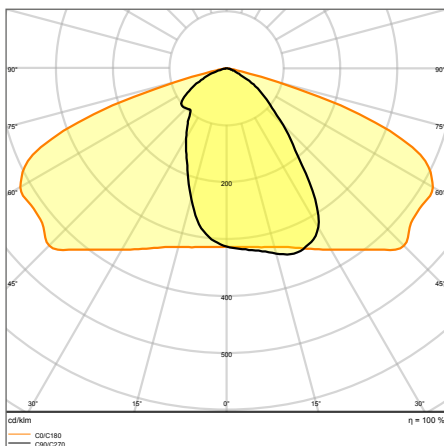
AREAS OF APPLICATION

- Outdoor use (IP66)
- M-, C- and P-class roads acc. to EN 13201
- Parking
- Public areas
- Industry

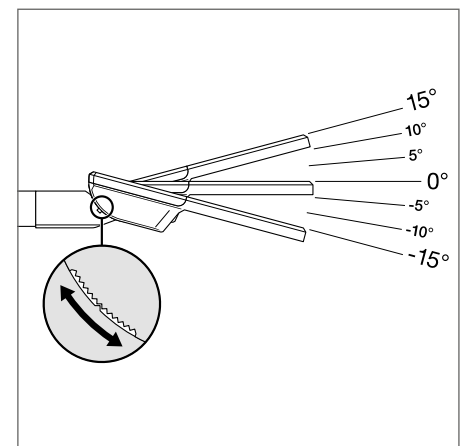
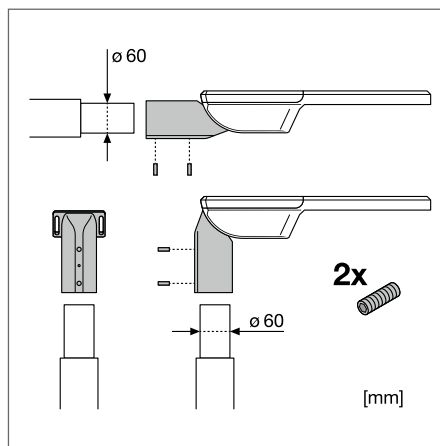
EQUIPMENT / ACCESSORIES

- Spigot for 42 and 76 mm poles available separately

FURTHER PRODUCT DETAILS



SL FLEX SM RV25ST P 36W 740 WAL



¹ Refer to www.ledvance.com/guarantee for precise conditions

The pictures shown in the catalog are for illustration purposes only. For information on size and color, please refer to the product table.

STREETLIGHT FLEX SMALL RV25ST

Very wide light distribution for general road lighting

Product name	Segmentation	GTIN (EAN)	W	lm	lm/W	K	L90 ²
NEW SL FLEX SM RV25ST P 13W 727 WAL	■	4058075552234	13	1650	127	2700	100000
NEW SL FLEX SM RV25ST P 13W 730 WAL	■	4058075552241	13	1700	131	3000	100000
NEW SL FLEX SM RV25ST P 13W 740 WAL	■	4058075552258	13	1780	137	4000	100000
NEW SL FLEX SM RV25ST P 25W 727 WAL	■	4058075552265	25	3270	131	2700	100000
NEW SL FLEX SM RV25ST P 25W 730 WAL	■	4058075552272	25	3370	135	3000	100000
NEW SL FLEX SM RV25ST P 25W 740 WAL	■	4058075552289	25	3550	141	4000	100000
NEW SL FLEX SM RV25ST P 36W 727 WAL	■	4058075552296	36	4850	135	2700	100000
NEW SL FLEX SM RV25ST P 36W 730 WAL	■	4058075552302	36	4950	138	3000	100000
NEW SL FLEX SM RV25ST P 36W 740 WAL	■	4058075552319	36	5180	144	4000	100000

Product name						L × W × H [mm] Ø × H [mm]	
NEW SL FLEX SM RV25ST P 13W 727 WAL		25 × 145	70	≤ 10 %	IK08	4400	445 × 250 × 90
NEW SL FLEX SM RV25ST P 13W 730 WAL		25 × 145	70	≤ 10 %	IK08	4400	445 × 250 × 90
NEW SL FLEX SM RV25ST P 13W 740 WAL		25 × 145	70	≤ 10 %	IK08	4400	445 × 250 × 90
NEW SL FLEX SM RV25ST P 25W 727 WAL		25 × 145	70	≤ 10 %	IK08	4500	445 × 250 × 90
NEW SL FLEX SM RV25ST P 25W 730 WAL		25 × 145	70	≤ 10 %	IK08	4500	445 × 250 × 90
NEW SL FLEX SM RV25ST P 25W 740 WAL		25 × 145	70	≤ 10 %	IK08	4500	445 × 250 × 90
NEW SL FLEX SM RV25ST P 36W 727 WAL		25 × 145	70	≤ 10 %	IK08	4500	445 × 250 × 90
NEW SL FLEX SM RV25ST P 36W 730 WAL		25 × 145	70	≤ 10 %	IK08	4500	445 × 250 × 90
NEW SL FLEX SM RV25ST P 36W 740 WAL		25 × 145	70	≤ 10 %	IK08	4500	445 × 250 × 90

² t[h]: L90/B10 @ 25 °C (T_a)

STREETLIGHT FLEX MEDIUM

IP66 streetlight with up to 147 lm/W



PRODUCT FEATURES

- High luminous efficacy: up to 147 lm/W
- Very long lifetime (L90/B10): Up to 100 000 h (at 25 °C)
- Spigot included, suitable for 48...60 mm diameter poles
- Adjustable spigot for both side-entry and post-top installation
- +/-15° tilt angle adjustment without opening the housing

PRODUCT BENEFITS

- Durable IP66 & IK08 design and highest quality component selection for long lasting performance
- Easy installation due to tool-free housing opening and push button wiring terminal
- High light uniformity
- No upper light output ratio (ULOR 0 %) when mounted at 0° tilt
- 5 years guarantee

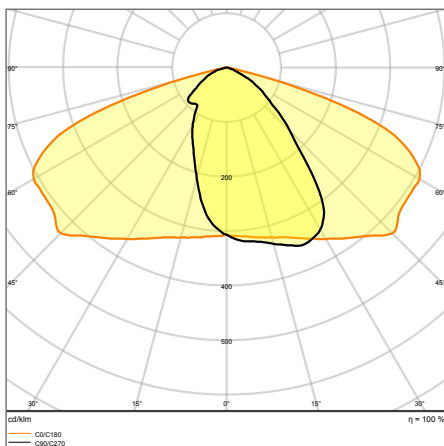
AREAS OF APPLICATION

- Outdoor use (IP66)
- M-, C- and P-class roads acc. to EN 13201
- Parking
- Public areas
- Industry

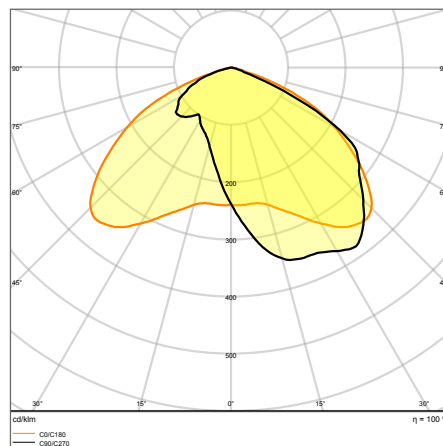
EQUIPMENT / ACCESSORIES

- Spigot for 42 and 76 mm poles available separately

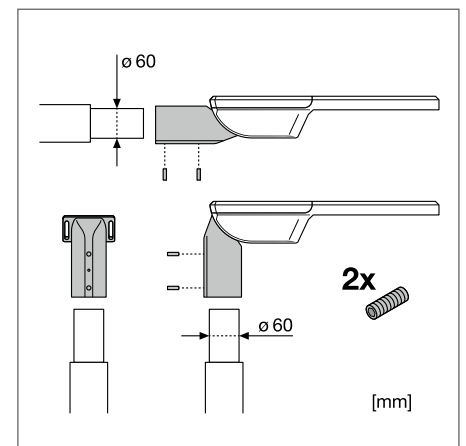
FURTHER PRODUCT DETAILS



SL FLEX MD RV25ST P 80W 740 WAL



SL FLEX MD RW35ST P 80W 740 WAL



¹ Refer to www.ledvance.com/guarantee for precise conditions

The pictures shown in the catalog are for illustration purposes only. For information on size and color, please refer to the product table.

STREETLIGHT FLEX MEDIUM RV25ST

Very wide light distribution for general road lighting

Product name	Segmentation	GTIN (EAN)	W	lm	lm/W	K	L90 ²
NEW SL FLEX MD RV25ST P 58W 727 WAL	■	4058075552326	58	7750	134	2700	100000
NEW SL FLEX MD RV25ST P 58W 730 WAL	■	4058075552333	58	8250	142	3000	100000
NEW SL FLEX MD RV25ST P 58W 740 WAL	■	4058075552340	58	8500	147	4000	100000
NEW SL FLEX MD RV25ST P 80W 727 WAL	■	4058075552357	80	10550	132	2700	100000
NEW SL FLEX MD RV25ST P 80W 730 WAL	■	4058075552371	80	11400	143	3000	100000
NEW SL FLEX MD RV25ST P 80W 740 WAL	■	4058075552395	80	11650	146	4000	100000

Product name							L × W × H [mm] Ø × H [mm]
NEW SL FLEX MD RV25ST P 58W 727 WAL		25 × 145	70	≤ 10 %	IK08	5100	496 × 250 × 90
NEW SL FLEX MD RV25ST P 58W 730 WAL		25 × 145	70	≤ 10 %	IK08	5100	496 × 250 × 90
NEW SL FLEX MD RV25ST P 58W 740 WAL		25 × 145	70	≤ 10 %	IK08	5100	496 × 250 × 90
NEW SL FLEX MD RV25ST P 80W 727 WAL		25 × 145	70	≤ 10 %	IK08	5600	496 × 250 × 90
NEW SL FLEX MD RV25ST P 80W 730 WAL		25 × 145	70	≤ 10 %	IK08	5600	496 × 250 × 90
NEW SL FLEX MD RV25ST P 80W 740 WAL		25 × 145	70	≤ 10 %	IK08	5600	496 × 250 × 90

STREETLIGHT FLEX MEDIUM RW35ST

Wide light distribution optimized for wider roads and area lighting

Product name	Segmentation	GTIN (EAN)	W	lm	lm/W	K	L90 ²
NEW SL FLEX MD RW35ST P 80W 727 WAL	■	4058075552364	80	10500	131	2700	100000
NEW SL FLEX MD RW35ST P 80W 730 WAL	■	4058075552388	80	11300	141	3000	100000
NEW SL FLEX MD RW35ST P 80W 740 WAL	■	4058075552401	80	11500	144	4000	100000

Product name							L × W × H [mm] Ø × H [mm]
NEW SL FLEX MD RW35ST P 80W 727 WAL		35 × 135	70	≤ 10 %	IK08	5600	496 × 250 × 90
NEW SL FLEX MD RW35ST P 80W 730 WAL		35 × 135	70	≤ 10 %	IK08	5600	496 × 250 × 90
NEW SL FLEX MD RW35ST P 80W 740 WAL		35 × 135	70	≤ 10 %	IK08	5600	496 × 250 × 90

² t[h]: L90/B10 @ 25 °C (T_a)

STREETLIGHT FLEX LARGE

IP66 streetlight with up to 155 lm/W



PRODUCT FEATURES

- High luminous efficacy: up to 155 lm/W
- Very long lifetime (L90/B10): Up to 100 000 h (at 25 °C)
- Spigot included, suitable for 48...60 mm diameter poles
- Adjustable spigot for both side-entry and post-top installation
- +/-15° tilt angle adjustment without opening the housing

PRODUCT BENEFITS

- Durable IP66 & IK08 design and highest quality component selection for long lasting performance
- Easy installation due to tool-free housing opening and push button wiring terminal
- High light uniformity
- No upper light output ratio (ULOR 0 %) when mounted at 0° tilt
- 5 years guarantee

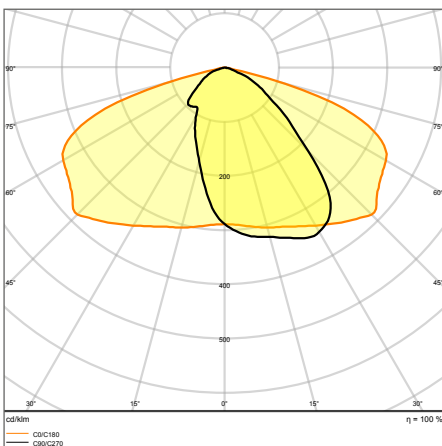
AREAS OF APPLICATION

- Outdoor use (IP66)
- M-, C- and P-class roads acc. to EN 13201
- Parking
- Public areas
- Industry

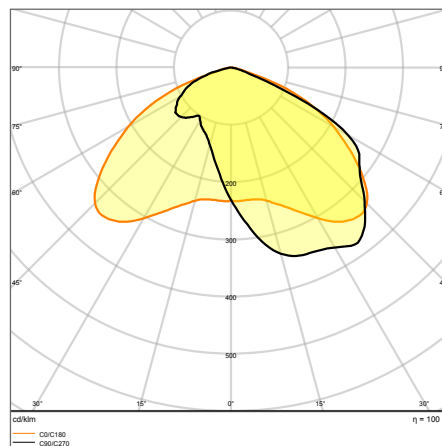
EQUIPMENT / ACCESSORIES

- Spigot for 42 and 76 mm poles available separately

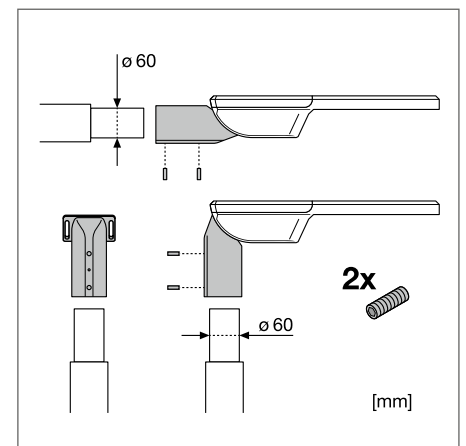
FURTHER PRODUCT DETAILS



SL FLEX LA RV25ST P 158W 740 WAL



SL FLEX LA RW35ST P 158W 740 WAL



¹ Refer to www.ledvance.com/guarantee for precise conditions

The pictures shown in the catalog are for illustration purposes only. For information on size and color, please refer to the product table.

STREETLIGHT FLEX LARGE RV25ST

Very wide light distribution for general road lighting

Product name	Segmentation	GTIN (EAN)	W	lm	lm/W	K	L90 ²
NEW SL FLEX LA RV25ST P 110W 727 WAL	■	4058075552418	110	15250	139	2700	100000
NEW SL FLEX LA RV25ST P 110W 730 WAL	■	4058075552432	110	16500	150	3000	100000
NEW SL FLEX LA RV25ST P 110W 740 WAL	■	4058075552456	110	16800	153	4000	100000
NEW SL FLEX LA RV25ST P 158W 727 WAL	■	4058075552470	158	21150	134	2700	100000
NEW SL FLEX LA RV25ST P 158W 730 WAL	■	4058075552494	158	23350	148	3000	100000
NEW SL FLEX LA RV25ST P 158W 740 WAL	■	4058075552517	158	24450	155	4000	100000

Product name							L × W × H [mm] Ø × H [mm]
NEW SL FLEX LA RV25ST P 110W 727 WAL		25 × 145	70	≤ 10 %	IK08	7700	617 × 300 × 90
NEW SL FLEX LA RV25ST P 110W 730 WAL		25 × 145	70	≤ 10 %	IK08	7700	617 × 300 × 90
NEW SL FLEX LA RV25ST P 110W 740 WAL		25 × 145	70	≤ 10 %	IK08	7700	617 × 300 × 90
NEW SL FLEX LA RV25ST P 158W 727 WAL		25 × 145	70	≤ 10 %	IK08	7700	617 × 300 × 90
NEW SL FLEX LA RV25ST P 158W 730 WAL		25 × 145	70	≤ 10 %	IK08	7700	617 × 300 × 90
NEW SL FLEX LA RV25ST P 158W 740 WAL		25 × 145	70	≤ 10 %	IK08	7700	617 × 300 × 90

STREETLIGHT FLEX LARGE RW35ST

Wide light distribution optimized for wider roads and area lighting

Product name	Segmentation	GTIN (EAN)	W	lm	lm/W	K	L90 ²
NEW SL FLEX LA RW35ST P 110W 727 WAL	■	4058075552425	110	15200	138	2700	100000
NEW SL FLEX LA RW35ST P 110W 730 WAL	■	4058075552449	110	16350	149	3000	100000
NEW SL FLEX LA RW35ST P 110W 740 WAL	■	4058075552463	110	16650	151	4000	100000
NEW SL FLEX LA RW35ST P 158W 727 WAL	■	4058075552487	158	21000	133	2700	100000
NEW SL FLEX LA RW35ST P 158W 730 WAL	■	4058075552500	158	23200	147	3000	100000
NEW SL FLEX LA RW35ST P 158W 740 WAL	■	4058075552524	158	23900	151	4000	100000

Product name							L × W × H [mm] Ø × H [mm]
NEW SL FLEX LA RW35ST P 110W 727 WAL		35 × 135	70	≤ 10 %	IK08	7700	617 × 300 × 90
NEW SL FLEX LA RW35ST P 110W 730 WAL		35 × 135	70	≤ 10 %	IK08	7700	617 × 300 × 90
NEW SL FLEX LA RW35ST P 110W 740 WAL		35 × 135	70	≤ 10 %	IK08	7700	617 × 300 × 90
NEW SL FLEX LA RW35ST P 158W 727 WAL		35 × 135	70	≤ 10 %	IK08	7700	617 × 300 × 90
NEW SL FLEX LA RW35ST P 158W 730 WAL		35 × 135	70	≤ 10 %	IK08	7700	617 × 300 × 90
NEW SL FLEX LA RW35ST P 158W 740 WAL		35 × 135	70	≤ 10 %	IK08	7700	617 × 300 × 90

² t[h]: L90/B10 @ 25 °C (T_a)

STREETLIGHT FLEX ACCESSORIES

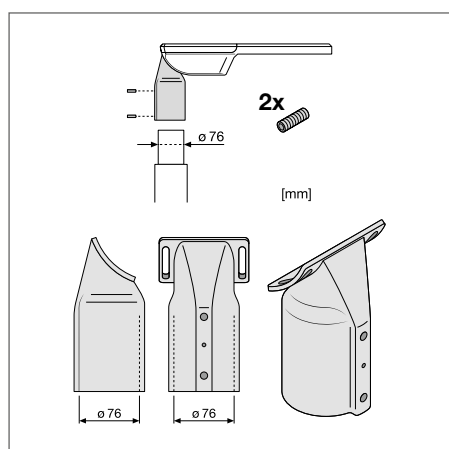
Mounting accessories for STREETLIGHT FLEX luminaires



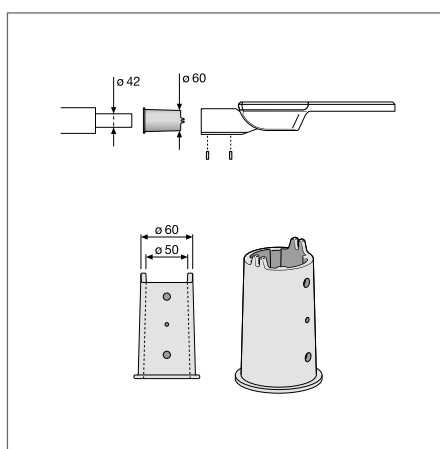
- Larger pole adapter, suitable for 76 mm poles
- Reduction piece, enabling the standard adapter for installation at 42 mm poles
- Suitable for all Streetlight Flex types



FURTHER PRODUCT DETAILS



ADAPTER FOR 76 MM POLES



REDUCTION ADAPTER FOR 42 MM POLES

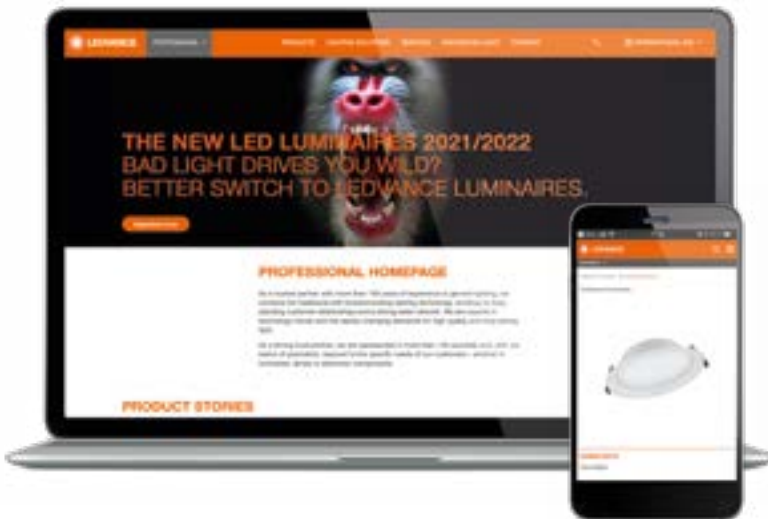
Product name	GTIN (EAN)		L x W x H [mm] Ø x H [mm]			
NEW SL FLEX SPIGOT 76MM WAL	4058075552531	600	191 x 114 x 91	Aluminum	White Aluminum	1
NEW SL FLEX REDUCTION 60 TO 42MM WAL	4058075552579	330	76 x 122	Aluminum	White Aluminum	2

¹ Refer to www.ledvance.com/guarantee for precise conditions



WHENEVER AND WHEREVER: THE ONLINE PORTAL WITH ALL THE INFORMATION, ADVICE AND EXPERTISE

Are you looking for information about our products and services? LEDVANCE always keeps you up to date: at wholesalers, through our sales employees or via our Customer Service Center (email: contact@ledvance.com). Here you'll find an overview of our competencies, databases and tools.



- ▶ **PERFECTLY FILTERED**
Use the online filters to find precisely what you're looking for in our luminaire portfolio – type of mounting, IP rating, light color, etc.: ledvance.com/luminaires
- ▶ **REFERENCES PROVIDE INSPIRATION**
A selection of some top lighting projects can be found at ledvance.com/projects
- ▶ **LEDVANCE SERVICE-PLUS**
Our specialized sales department supports and advises our commercial end customers – including face-to-face. Find out all you need to know at ledvance.com/vam
- ▶ **DOWNLOAD CENTER**
Catalogs, compatibility overviews, brochures, and much more are available for you in our download center: ledvance.com/download
- ▶ **OUR TOOLS FOR YOU**
From the LED strip system configurator to the TCO calculator for lamps, you will find all the practical tools you need at ledvance.com/tools
- ▶ **SERVICE AT A GLANCE**
You will find a summary of all of our service offerings at ledvance.com/services
- ▶ **FIND OUR LATEST NEWS ON:**



THE ONLINE TRAINING PLATFORM

A host of application-oriented eLearnings for professional users, practical advice on installation, integrated standards checks, planning tips, and much more.

Register and find out more at training.ledvance.com



FAST LIGHT CALCULATOR























The light calculation tool – calculate your luminaire project requirement really conveniently, taking account of relevant parameters such as room size.¹ Available directly in the e-catalog!

LIGHT CALCULATION WITH DIALUX AND RELUX

DIALux and RELUX users can now also integrate LEDVANCE products really easily into their lighting planning. We also support users through consultancy, calculation and aftersales support.

¹ The Fast Light Calculation Tool is no substitute for comprehensive professional planning with DIALux or any other professional light planning software.

SHEDDING LIGHT, SYMBOLS AND ABBREVIATIONS

 IP	Type of protection	 L80	t [h]: L80/B10 @ 25 °C (T _a)
 IK	IK impact rating	 L90	t [h]: L90/B10 @ 25 °C (T _a)
 CRI	Color rendering index		Beam angle in °
 lm	Luminous flux in lm		Weight
 W	Power in W		Unit of packaging
 K	Color temperature in K		Recommended retail price
 lm/W	Luminous efficacy		Fig. no.
	Guarantee		Protection class I
	Sensor versions		Protection class II
	Replacement for traditional lamp technology		ENEC certification
 L70	t [h]: L70/B50 @ 25 °C (T _a)		TÜV Süd certification

LIST OF ABBREVIATIONS

ASYM	Asymmetric
BK	Black
CCT	Correlated Color Temperature
D	Direct
DA	Double Asymmetric
D/I	Direct / Indirect
DEG	Degree (beam angle)
DN	Diameter Nominal
DS	Double Symmetric
FL	Flood (beam angle)
Flood	Floodlight
GY	Gray
IND	Indirect
N	Narrow (beam angle)
NFL	Narrow Flood (beam angle)
O	Outdoor
PFM	Performance
RD	Round
S	Sensor
SI	Silver
SYM	Symmetric
VAL	Value
VN	Very Narrow Beam Angle
VW	Very Wide Beam Angle
W	Wide (90° beam)
WT	White
WW	Wallwasher = asymmetric

ABOUT LEDVANCE



LEDVANCE

With offices in more than 50 countries and business activities in more than 140 countries, LEDVANCE is one of the world's leading general lighting providers for professional users and end consumers. Having emerged from OSRAM's general lighting division, LEDVANCE offers a wide-ranging portfolio of LED luminaires for a broad spectrum of applications, intelligent lighting products for Smart Home and Smart Building solutions, one of the most comprehensive ranges of advanced LED lamps in the lighting industry, traditional light sources, an LED Strip System and light management systems.

LEDVANCE GmbH
Parkring 29–33
85748 Garching
Germany
LEDVANCE.COM

Partner:



LEDVANCE.COM