

1

2

3

4

A

B

C

D

E

F

A

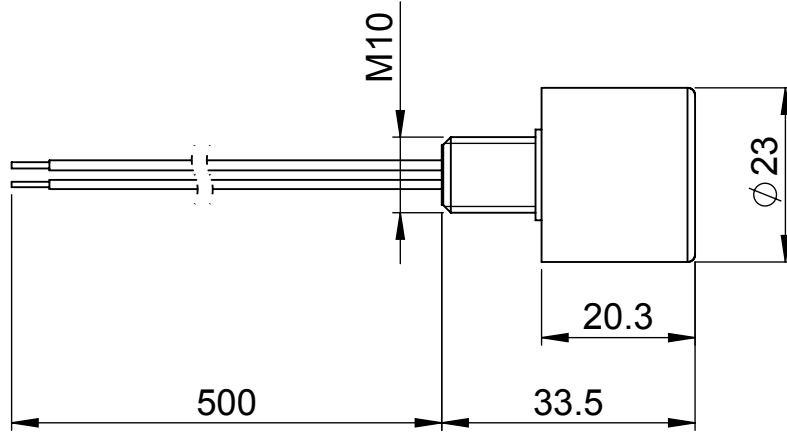
B

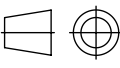
C

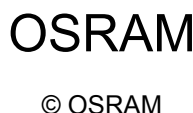
D

E

F



CREATED BY ARNE.MENZ	CREATED AT 2020/Jun/16	SURFACE FINISH not applicable			GENERAL TOLERANCE not applicable	 PROJECTION 1
CHANGED BY ARNE.MENZ	CHANGED AT 2020/Jun/16	BASIC MATERIAL not applicable				
CHECKED BY P.SACHSENWEG	RELEASE DATE 2020/Jun/18	CALC. WEIGHT / UNIT WEIGHT not applicable	VOLUME / UNIT VOLUME not applicable	NOTES First edition		

CHANGE No.		DESCRIPTION DE1-W4F-8XX-G3 DRAGEYE							FORMAT A4	
 © OSRAM		DOC TYPE	PLM DOC No.	LANGUAGE	VER	DOC TYPE	NEUTRAL FORMAT No.	VER	STATUS	SCALE
		SWD	4223299	EN	00	9C1	4223297	00	RL	1:1
		DOC TYPE	3D MODEL No.	DOC PART	VER	PLM MAT TYPE	PLM MATERIAL No.			PAGE
SWM	4222581	000	00	DMAT	D30066076			1/1		

Released

1

2

3

4

SolidWorks

?2020-06-18

?RL-Released

?9C1 4223297-EN-00

?ECS-?DE1-W4F-8XX-G3 DRAGEYE

?

?993-?ARNE.MENZ

?0LQ(C)