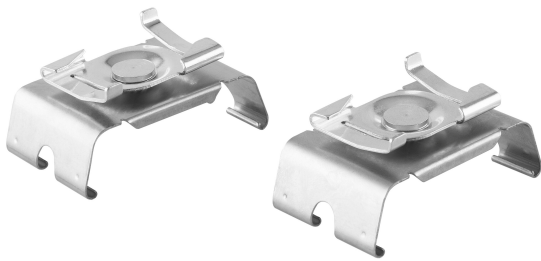


# PRODUCT DATASHEET

## TRUSYS FLEX GRID CEILING CLIP

TruSys® FLEX GRID CEILING CLIP | Grid ceiling mounting clip for mounting rail



---

### Product features

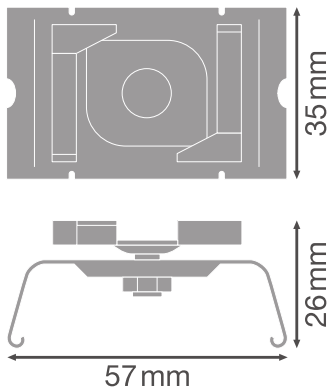
- Mounting clip for surface mounting on grid ceilings



## TECHNICAL DATA

### Dimensions & Weight

Length	57.0 mm
Width	35.0 mm
Height	26.0 mm
Product weight	31.6 g



TRUSYS PFM TRUSYS FLEX GRID  
CEILING CLIP




### Materials & Colors


Product color	Silver
Body material	Steel

### Application & Mounting

Mounting location	Ceiling
-------------------	---------

## DOWNLOAD DATA

	Documents and certificates	Document name
	User instruction / safety instructions	TRUSYS FLEX P RAIL
	User instruction / safety instructions	TRUSYS FLEX P RAIL
	Legal information	Informationstext 18 Abs 4 ElektroG

Tender texts	Document name
 Tender documents	TruSys FLEX GRID CEILING CLIP GRID CEILING CLIP-EN

**LOGISTICAL DATA**

Product code	Packaging unit (Pieces/Unit)	Dimensions (length x width x height)	Gross weight	Volume
4058075781917	BAG 2	35 mm x 57 mm x 26 mm	70.00 g	0.05 dm <sup>3</sup>
4058075781924	Shipping box 400	440 mm x 440 mm x 180 mm	14410.00 g	34.85 dm <sup>3</sup>

The mentioned product code describes the smallest quantity unit which can be ordered. One shipping unit can contain one or more single products. When placing an order, for the quantity please enter single or multiples of a shipping unit.

**DISCLAIMER**

Subject to change without notice. Errors and omission excepted. Always make sure to use the most recent release.