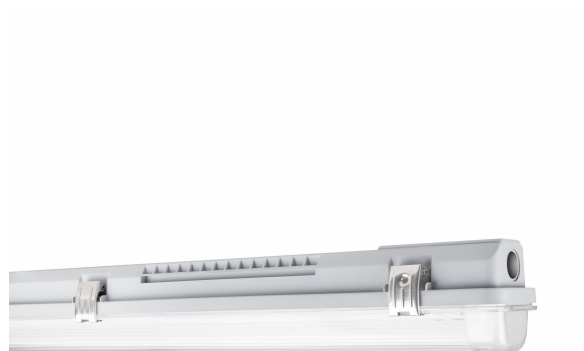


PRODUCT DATASHEET

DP HOUSING 600 P 1XLAMP IP65

DAMP PROOF HOUSING GEN 3 | Damp-proof luminaire for T8 LED lamps with tool-free luminaire connector



Areas of application

- Parking lots, warehouses, production areas
- Car parks and underpasses
- Garages

Product benefits

- Easy and quick installation
- Prewired for easy installation of tubular AC LED lamps
- Toolless installation
- Robust housing
- Sustainable solution thanks to exchangeable light sources
- 5 years guarantee

Product features

- Luminaire housing, available for 1 or 2 T8 LED tubes
- Suitable for LED TUBE T8 EM and LED TUBE T8 CONNECTED
- Type of protection: IP65
- Integrated electrical fuse



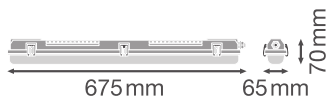
TECHNICAL DATA

Electrical data

| | |
|------------------|-------------|
| Nominal voltage | 220...240 V |
| Mains frequency | 50...60 Hz |
| Protection class | II |

Dimensions & Weight

| | |
|----------------|-----------|
| Length | 675.00 mm |
| Width | 65.00 mm |
| Height | 70.00 mm |
| Product weight | 420.00 g |



DP HOUSING 600 P 1XLAMP IP65

Materials & Colors

| | |
|--|--------------------|
| Product color | Gray |
| Housing color | Gray |
| Body material | Polycarbonate (PC) |
| Cover material | Polycarbonate (PC) |
| Light emitting surface material | Polycarbonate (PC) |
| Glow Wire Test according to IEC 60695-2-12 | 850 °C |
| Mercury content | 0.0 mg |

Application & Mounting

| | |
|------------------------------|--------------|
| Ambient temperature range | -30...+40 °C |
| Temperature range at storage | -20...+80 °C |

| | |
|--|--------------------------------------|
| Type of connection | Screwless terminal, 3-Pole (N, E, L) |
| Type of protection | IP65 |
| Protection class IK (shock resistance) | IK08 |
| Dimmable | No |
| Mounting type | Surface |
| Mounting location | Ceiling |
| Application environment | Indoor |
| With light source | No |
| Holder designation | G13 |

Certificates & Standards

| | |
|--|---------------------------------|
| Standards | CE / TÜV Rheinland / EAC / UKCA |
| Luminaire with limited surface temperature, "D sign" | No |
| Ball shot safe | No |






Additional product data




| | |
|----------------|---|
| Product remark | When used in very cold applications as in cold storage, a special membrane might be required to ensure lifetime |
|----------------|---|



EQUIPMENT / ACCESSORIES


- All required accessories included
- Through-wiring cable kit available

DOWNLOAD DATA

| | Documents and certificates | Document name |
|--|--|------------------------------------|
|  | User instruction / safety instructions | DP HOUSING |
|  | Legal information | LI DP HOUSING |
|  | Legal information | Informationstext 18 Abs 4 ElektroG |
|  | Declarations of conformity | DP HOUSING |
|  | Declarations of conformity UKCA | DP HOUSING |

| Photometric and lighting design files | | Document name |
|--|---------------------|---|
|  | IES file (IES) | DP HOUSING 600 P 1xL IP65 incl LEDTUBE CON P 7,5W |
|  | LDT file (Eulumdat) | DP HOUSING 600 P 1xL IP65 incl LEDTUBE CON P 7,5W |
|  | ULD file (DIALux) | DP HOUSING 600 P 1XLAMP IP65 |

| CAD/BIM files | | Document name |
|--|--------------|------------------------------|
|  | BIM Revit 3D | Damp Proof Housing G3 |
|  | CAD STEP 3D | DP HOUSING 600 P 1XLAMP IP65 |

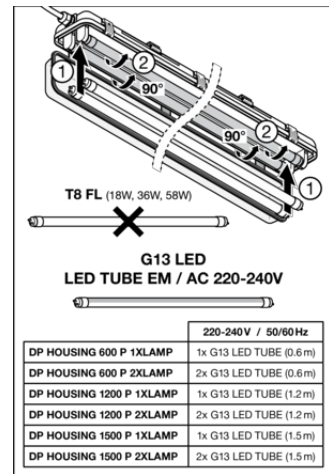
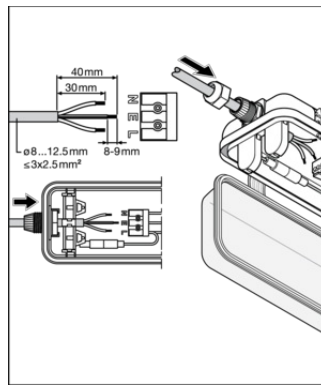
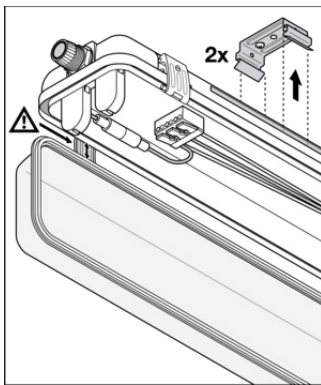
| Tender texts | | Document name |
|--|------------------|---|
|  | Tender documents | DAMP PROOF HOUSING GEN 3 600 P 1XLAMP IP65-EN |

LOGISTICAL DATA

| Product code | Packaging unit (Pieces/Unit) | Dimensions (length x width x height) | Gross weight | Volume |
|---------------|------------------------------|--------------------------------------|--------------|-----------------------|
| 4099854118050 | Folding box 1 | 68 mm x 663 mm x 75 mm | 531.00 g | 3.38 dm ³ |
| 4099854118067 | Shipping box 10 | 678 mm x 148 mm x 387 mm | 6379.00 g | 38.83 dm ³ |

The mentioned product code describes the smallest quantity unit which can be ordered. One shipping unit can contain one or more single products. When placing an order, for the quantity please enter single or multiples of a shipping unit.

ADDITIONAL CATALOG INFORMATION



References / Links

– For Guarantee see www.ledvance.com/guarantee

DISCLAIMER

Subject to change without notice. Errors and omission excepted. Always make sure to use the most recent release.