

# PRODUCT DATASHEET

## Smart+ Wifi Ball Magic Mini RGBW USB

SMART+ BALL MAGIC RGB | Smart+ moodlights



---

### Areas of application

- Indoor applications
- Kitchens, living rooms, children's rooms or home offices

---

### Product benefits

- Easy and quick installation
- Homogenous light distribution

---

### Product features

- Network protocol: WiFi
- Smart control for adjustable color temperature and RGB color control
- Music rhythm function: With behalf of the Smart Wi-Fi App and integrated voice-receivers the Luminaire reacts to sound and music
- RGB color control, approx. 16 million color options adjustable
- USB connection
- Dimmable
- Controllable via SMART+ App (with minimum Android 8.0 or iOS 14.0)



## TECHNICAL DATA

### Electrical data

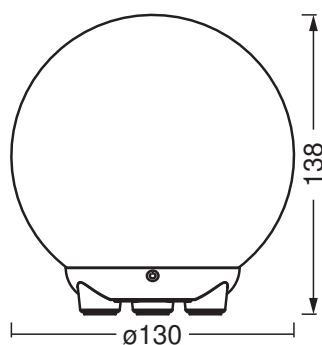
Nominal wattage	2.50 W
Nominal voltage	5 V
Nominal current	500.000 mA
Protection class	III
Operating mode	Electronic control gear (ECG)

### Photometrical data

Luminous flux	130 lm
Total luminous flux of contained light sources	160 lm
Luminous efficacy	52 lm/W
Color temperature	2200 ... 6500 K
Light color (designation)	Tunable White / RGB
Color rendering index Ra	> 80
Standard deviation of color matching	≤6 sdc <sub>m</sub>
Photobiological safety group acc. to EN62778	RG0
Beam angle	200 °

### Dimensions & Weight

Diameter	130.00 mm
Height	138.00 mm
Product weight	230.00 g
Cable length	1 m



SMART WIFI BALL MINI MGC  
RGBW USB

## Materials & Colors

Product color	White
Housing color	White
Body material	Polycarbonate (PC) Acrylonitrile butadiene styrene (ABS)
Cover material	Glass
Mercury content	0.0 mg

## Application & Mounting

Ambient temperature range	-20...+40 °C
Temperature range at storage	-20...+80 °C
Type of connection	USB TYPE-A
Type of protection	IP20
Dimmable	Yes
Type of dimming	WiFi
Mounting type	Standing
Application environment	Indoor
Adjustable	No
With light source	Yes

## Lifespan

Lifespan L70/B50 at 25 °C	25000 h
Number of switching cycles	50000

## Certificates & Standards

Standards	CE
Replaceable light source (EPREL)	Not replaceable

## Additional product data

Product remark	Reset settings to default by switching the product on for three seconds and off for three seconds and repeating this five times.
Number of illuminants	empty





## EQUIPMENT / ACCESSORIES

- Complete mounting and connecting accessories included
- USB cable, length: 1 m
- For control via SMART+ App, a smartphone or tablet is required (with minimum Android 8.0 or iOS 14.0)

## Safety advice

- To reduce the risk of strangulation the flexible wiring connected to this luminaire shall be effectively fixed to the wall if the wiring is within arm's reach.

## DOWNLOAD DATA

	Documents and certificates	Document name
	User instruction / safety instructions	SMART WIFI BALL MAGIC
	Legal information	SMART WIFI BALL MAGIC USB
	Declarations of conformity	SMART WIFI BALL MAGIC RGBW USB
	Declarations of conformity UKCA	SMART WIFI BALL MAGIC RGBW USB

## LOGISTICAL DATA

Product code	Packaging unit (Pieces/Unit)	Dimensions (length x width x height)	Gross weight	Volume
4058075831711	Folding box 1	162 mm x 162 mm x 168 mm	379.00 g	4.41 dm <sup>3</sup>
4058075831728	Shipping box 8	340 mm x 340 mm x 363 mm	3489.00 g	41.96 dm <sup>3</sup>

The mentioned product code describes the smallest quantity unit which can be ordered. One shipping unit can contain one or more single products. When placing an order, for the quantity please enter single or multiples of a shipping unit.

## References / Links

- Further information and frequently asked questions (FAQs) at [www.ledvance.com/consumer/smart/faq](http://www.ledvance.com/consumer/smart/faq)

## DISCLAIMER

Subject to change without notice. Errors and omission excepted. Always make sure to use the most recent release.