

PRODUCT DATASHEET

Orbis Plate 310MM 19W 830 Click DIM Black and Orange

Orbis Plate | LED ceiling luminaires with metal ring



Areas of application

- Indoor
- Living areas (living rooms, dining rooms, bedrooms etc.)

Product benefits

- Stylish and modern design
- Easy to install and use
- Long lifetime thanks to LED technology

Product features

- Type of protection: IP20
- Lifetime up to 30,000 h
- Click-DIM version: dimmable in three steps by repeated switching
- Color temperature: 3,000 K (Warm White)
- Metal housing, PMMA cover



TECHNICAL DATA

Electrical data

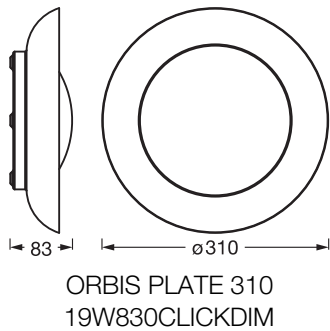
Nominal wattage	19.00 W
Nominal voltage	220...240 V
Mains frequency	50...60 Hz
Nominal current	140.000 mA
Inrush current	0.14 A
Inrush current time T_{h50}	10000 μ s
Max. number of luminaires per miniature circuit breaker B16	18
Max. number of luminaires per miniature circuit breaker C10	19
Max. number of luminaires per miniature circuit breaker C16	30
Power factor λ	0.50
Total harmonic distortion	70 %
Protection class	II
Operating mode	External LED driver

Photometrical data

Luminous flux	1000 lm
Total luminous flux of contained light sources	2240 lm
Luminous efficacy	52 lm/W
Color temperature	3000 K
Light color (designation)	Warm White
Color rendering index Ra	80
Standard deviation of color matching	< 6 sdc _m
Flickering metric (Pst LM)	≤1.0
Stroboscope effect metric (SVM)	≤0.4
Photobiological safety group acc. to EN62778	RG0
Photobiological safety group acc. to EN62471	RG0
Beam angle	120 °

Dimensions & Weight

Diameter	310.00 mm
Height	83.00 mm
Product weight	730.00 g



Materials & Colors

Product color	Black Yellow
Housing color	Black Yellow
Body material	Steel
Cover material	Polystyrene (PS)
Glow Wire Test according to IEC 60695-2-12	650 °C

Application & Mounting

Ambient temperature range	-20...+40 °C
Temperature range at storage	-20...+80 °C
Type of connection	Terminal, 2-Pole (L, N)
Type of protection	IP20
Dimmable	Yes
Type of dimming	3 DIM
Mounting type	Surface
Mounting location	Ceiling
Application environment	Indoor
With light source	Yes

Lifespan

Lifespan L70/B50 at 25 °C	30000 h ¹⁾
Number of switching cycles	15000

¹⁾ t[h]: L70 / B50 @ 25 °C (Ta), t[h]: L80 / B10 @ 25 °C (Ta), t[h]: L90 / B10 @ 25 °C (Ta)

Certificates & Standards

Standards	CE / UKCA
Luminaire with limited surface temperature, "D sign"	No

Replaceable light source (EPREL)

Not replaceable





EQUIPMENT / ACCESSORIES

- Mounting screws and dowels included

Safety advice

- Luminaire must be disconnected from mains during installation, maintenance and cover removal
- Check wall-ceiling for suitability. If uncertain, seek professional advice.
- Product in protection class I. All electrically conductive, metallic housing parts that can absorb voltage during operation or during maintenance in the event of a fault must be continuously connected to the protective earthing conductor.
- All electrical connections must be made by a qualified person.
- Caution, risk of electric shock.

DOWNLOAD DATA

	Documents and certificates	Document name
	User instruction / safety instructions	ORBIS PLATE 310 19W 830 CLICKDIM
	Legal information	Legal insert Residential luminaires
	Declarations of conformity	CE Declaration Orbis Plate
	Declarations of conformity UKCA	UKCA Declaration Orbis Plate

LOGISTICAL DATA

Product code	Packaging unit (Pieces/Unit)	Dimensions (length x width x height)	Gross weight	Volume
4099854285899	Folding box 1	157 mm x 392 mm x 393 mm	1259.00 g	24.19 dm ³
4099854285905	Shipping box 3	487 mm x 408 mm x 418 mm	5096.00 g	83.05 dm ³

The mentioned product code describes the smallest quantity unit which can be ordered. One shipping unit can contain one or more single products. When placing an order, for the quantity please enter single or multiples of a shipping unit.

DISCLAIMER

Subject to change without notice. Errors and omission excepted. Always make sure to use the most recent release.