

# PRODUCT DATASHEET

## DL SLIM FRAME SQ 105 WT

DOWNLIGHT SLIM SQUARE FRAME | Surface mounting frame, square shape



### Areas of application

- General illumination
- Public areas
- Stairways
- Corridors
- Foyers
- Shops

### Product benefits

- Cable entry on the side for electrical connection with low profil
- Easy installation thanks to included drilling template

### Product features

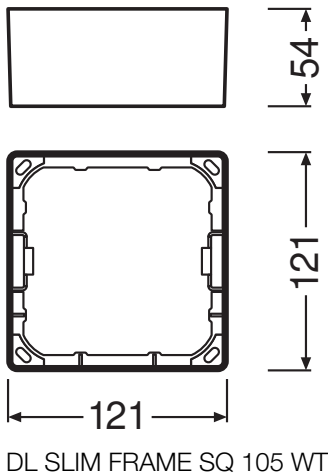
- Low mounting depth
- Robust polycarbonate casing
- Mounting accessories included



**TECHNICAL DATA**

**Dimensions & Weight**

Length	121.0 mm
Width	121.0 mm
Height	54 mm
Product weight	48.00 g



**Materials & Colors**

Product color	White
---------------	-------

**Application & Mounting**

Mounting location	Ceiling / Wall
-------------------	----------------


**Certificates & Standards**

Ball shot safe	No
----------------	----


**Safety advice**

- All electrical connections must be made by a qualified person.
- Product in protection class I. All electrically conductive, metallic housing parts that can absorb voltage during operation or during maintenance in the event of a fault must be continuously connected to the protective earthing conductor.

**DOWNLOAD DATA**

Documents and certificates		Document name
	User instruction / safety instructions	User Instruction DL Slim Frame Square

---

Tender texts		Document name
	Tender documents	DOWNLIGHT SLIM SQUARE FRAME 105 WT-EN

**LOGISTICAL DATA**

Product code	Packaging unit (Pieces/Unit)	Dimensions (length x width x height)	Gross weight	Volume
4058075079397	Folding box 1	60 mm x 130 mm x 130 mm	96.00 g	1.01 dm <sup>3</sup>
4058075079403	Shipping box 6	380 mm x 140 mm x 154 mm	696.00 g	8.19 dm <sup>3</sup>

The mentioned product code describes the smallest quantity unit which can be ordered. One shipping unit can contain one or more single products. When placing an order, for the quantity please enter single or multiples of a shipping unit.

**DISCLAIMER**

Subject to change without notice. Errors and omission excepted. Always make sure to use the most recent release.