

# PRODUCT DATASHEET

## TRACK SP REFLECTOR D95 SP

TRACKLIGHT SPOT REFLECTOR | Interchangeable reflector



---

### Product benefits

- Reflector easily replaceable thanks to bayonet catch and rubber suction pad
- Clear cover protects the reflector against dust and contact
- High optical efficacy

---

### Product features

- Accessory reflectors available in different beam angles



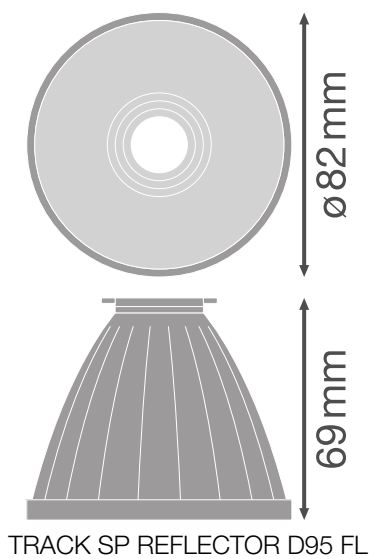
## TECHNICAL DATA

### Photometrical data

Beam angle	15 °
------------	------

### Dimensions & Weight

Diameter	82 mm
Height	69.00 mm
Product weight	35.00 g







### Materials & Colors

Product color	Silver
Body material	Polycarbonate (PC)

### Certificates & Standards

Luminaire with limited surface temperature, "D sign"	No
Ball shot safe	No

## DOWNLOAD DATA

Documents and certificates		Document name
	User instruction / safety instructions	UI Tracklight Spot
	Legal information	Informationstext 18 Abs 4 ElektroG
	Declarations of conformity	Attestation-of-Conformity Track SP TÜV
	Declarations of conformity	Attestation-of-Conformity Track SP LEDV

Tender texts	Document name
 Tender documents	TRACKLIGHT SPOT REFLECTOR D95 SP-EN

**LOGISTICAL DATA**

Product code	Packaging unit (Pieces/Unit)	Dimensions (length x width x height)	Gross weight	Volume
4058075113886	Folding box 1	90 mm x 90 mm x 75 mm	75.00 g	0.61 dm <sup>3</sup>
4058075113893	Shipping box 4	198 mm x 105 mm x 170 mm	421.00 g	3.53 dm <sup>3</sup>

The mentioned product code describes the smallest quantity unit which can be ordered. One shipping unit can contain one or more single products. When placing an order, for the quantity please enter single or multiples of a shipping unit.

**DISCLAIMER**

Subject to change without notice. Errors and omission excepted. Always make sure to use the most recent release.