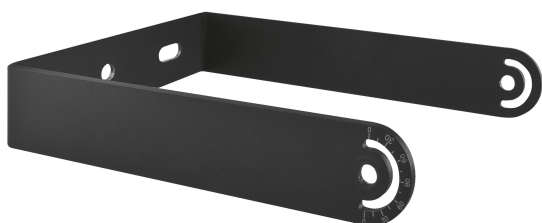


PRODUCT DATASHEET

HB BRACKET 190 W - 210 W

HIGH BAY BRACKETS GEN 3 | Mounting accessory for HIGH BAY GEN 3 luminaires



Product features

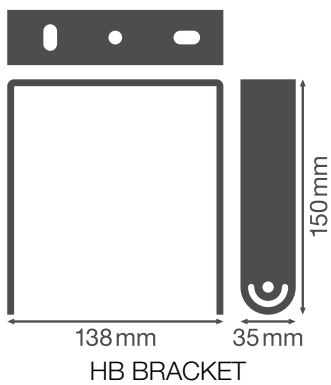
- Brackets made of black steel
- Adjustable swivel angle: $\pm 90^\circ$



TECHNICAL DATA

Dimensions & Weight

Length	138 mm
Width	35.0 mm
Height	150 mm
Product weight	450.00 g



Materials & Colors

Product color	Black
Body material	Steel



Application & Mounting


Mounting location	Luminaire
-------------------	-----------

Certificates & Standards

Luminaire with limited surface temperature, "D sign"	No
--	----

DOWNLOAD DATA

Documents and certificates	Document name
 User instruction / safety instructions	HIGHBAY Gen3
 Declarations of conformity	HB

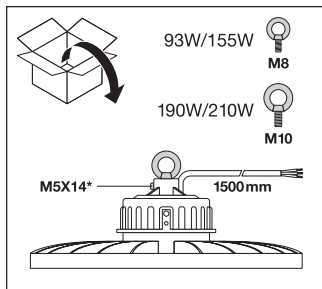
Tender texts	Document name
 Tender documents	HIGH BAY BRACKETS GEN 3 190 W - 210 W-EN

LOGISTICAL DATA

Product code	Packaging unit (Pieces/Unit)	Dimensions (length x width x height)	Gross weight	Volume
4058075505308	Folding box 1	142 mm x 42 mm x 159 mm	474.00 g	0.95 dm ³
4058075505315	Shipping box 10	302 mm x 232 mm x 182 mm	5109.00 g	12.75 dm ³

The mentioned product code describes the smallest quantity unit which can be ordered. One shipping unit can contain one or more single products. When placing an order, for the quantity please enter single or multiples of a shipping unit.

ADDITIONAL CATALOG INFORMATION



References / Links

– For Guarantee see www.ledvance.com/guarantee

DISCLAIMER

Subject to change without notice. Errors and omission excepted. Always make sure to use the most recent release.