

PRODUCT DATASHEET

O FACADE POLE SENSOR 6 W 3000 K IP44 S SST

OUTDOOR FACADE POLE | Stainless steel wall luminaires with indirect illumination



Areas of application

- Outdoor
- Building facades
- Entrance lighting
- Gardens, balconies and other outdoor areas

Product benefits

- Energy-efficient thanks to LED technology
- 5 years guarantee
- Easy and quick installation
- Special light guide design for low-glare illumination

Product features

- Bright and functional outdoor LED luminaires
- Type of protection: IP44
- Housing made of Polycarbonate covered with stainless steel



- Available as wall, ceiling and bollard luminaires
- Available with and without motion sensor
- Diffuser made of transparent polycarbonate

TECHNICAL DATA**Electrical data**

Nominal wattage	6.00 W
Nominal voltage	220...240 V
Mains frequency	50...60 Hz
Nominal current	60 mA
Max. number of luminaires per miniature circuit breaker B16	38
Max. number of luminaires per miniature circuit breaker C10	54
Max. number of luminaires per miniature circuit breaker C16	34
Power factor λ	> 0.5
Protection class	II
Operating mode	Mains voltage

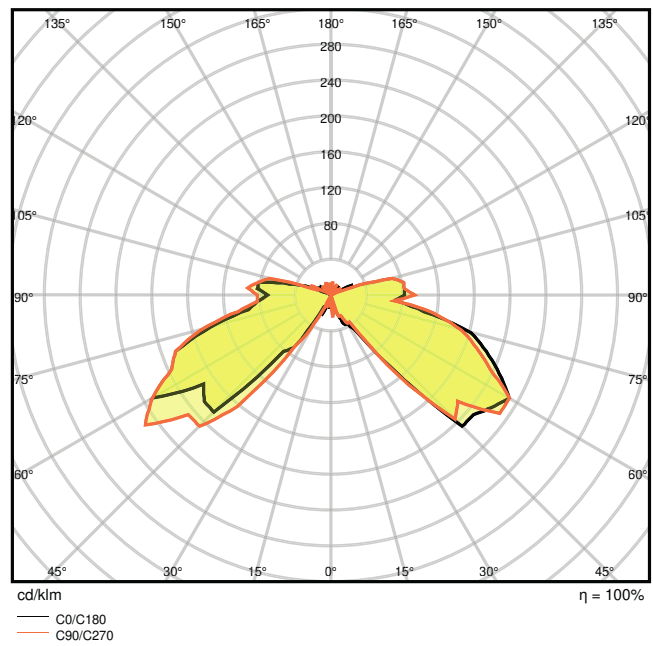
Photometrical data

Luminous flux	360 lm
Luminous efficacy	60 lm/W
Color temperature	3000 K
Light color (designation)	Warm White
Color rendering index Ra	≥ 80
Standard deviation of color matching	< 6 sdc _m
Photobiological safety group acc. to EN62778	RG0
Photobiological safety group acc. to EN62471	RG0
Beam angle	160 °

Distance [m]	Cone diameter [m]	illuminance [lx]
0.5	4.55 5.73	E(0°) 3 E(C90) 2 E(C0) 1
1.0	9.10 11.46	E(0°) 1 E(C90) 0 E(C0) 0
1.5	13.64 17.19	E(0°) 0 E(C90) 0 E(C0) 0
2.0	18.19 22.92	E(0°) 0 E(C90) 0 E(C0) 0
2.5	22.74 28.65	E(0°) 0 E(C90) 0 E(C0) 0
3.0	27.29 34.38	E(0°) 0 E(C90) 0 E(C0) 0

— C0/C180 (Half beam angle [°]: 160.2°)
— C90/C270 (Half beam angle [°]: 155.2°)

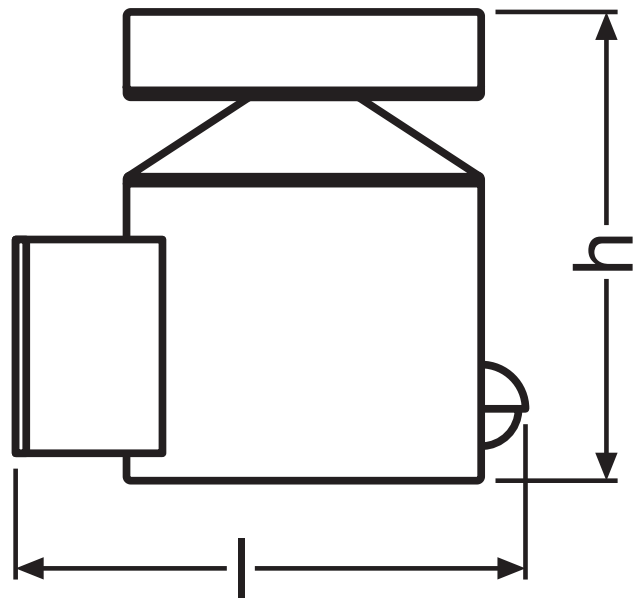
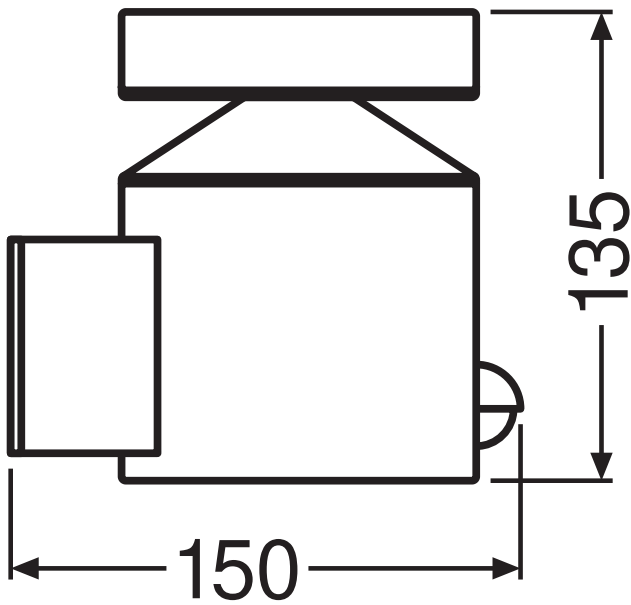
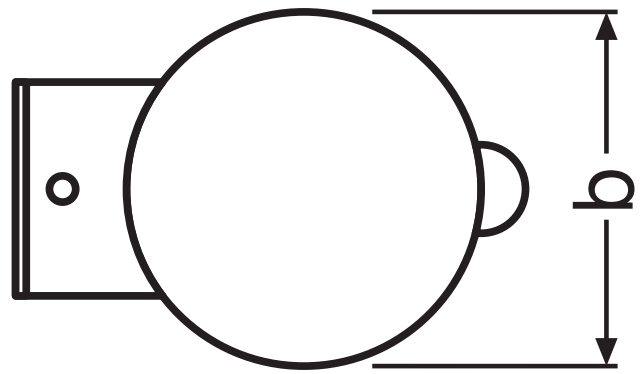
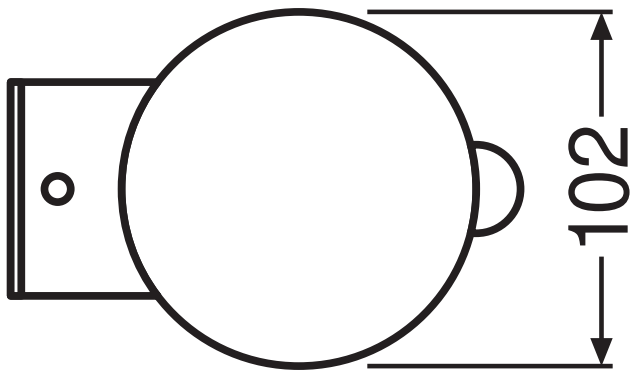
O Facade Pole 6W3000K SST S IP44



4058075075115 O Facade Pole 6W3000K SST S IP44

Dimensions & Weight

Length	150.00 mm
Width	102.00 mm
Height	135.00 mm
Product weight	500.00 g



O FACADE POLE 6W/3000K SST S IP44

O FACADE POLE 6W/3000K SST S IP44

Materials & Colors

Product color	Steel
Housing color	Steel
Body material	Stainless steel
Cover material	Polycarbonate (PC)
Mercury content	0.0 mg

Application & Mounting

Ambient temperature range	-20...+40 °C
Type of connection	Screw terminal, 2-Pole (L,N)
Type of protection	IP44

Protection class IK (shock resistance)	IK06
Dimmable	No
Mounting type	Surface
Mounting location	Wall
Application environment	Outdoor

Lifespan

Lifespan L70/B50 at 25 °C	30000 h ¹⁾
Number of switching cycles	15000

¹⁾ t[h]: L70 / B50 @ 25 °C (Ta), t[h]: L80 / B10 @ 25 °C (Ta), t[h]: L90 / B10 @ 25 °C (Ta)

Sensor

Type of sensor	Motion / Light
Sensor technology	Passive infrared (PIR)
Sensor detection angle	120 °
Sensor controlled switching time	5 s/30 s/1 min/3 min/5 min/8 min
Detection range of motion sensor	3 m / 6 m
Detection threshold of daylight sensor	10 lx / 2000 lx
Sensor IP rating	IP44



Certificates & Standards


Standards	CE
Ball shot safe	No
Replaceable light source (EPREL)	Not replaceable






EQUIPMENT / ACCESSORIES

– Complete mounting and connecting accessories included

DOWNLOAD DATA

Documents and certificates		Document name
	User instruction / safety instructions	User Instruction Outdoor Facade Pole
	On-Pack-Info	Legal Insert OUTDOOR

Documents and certificates		Document name
	Declarations of conformity	EC declararion Outdoor

Photometric and lighting design files		Document name
	IES file (IES)	O Facade Pole 6W3000K SST S IP44
	LDT file (Eulumdat)	O Facade Pole 6W3000K SST S IP44
	UGR file (UGR table)	O Facade Pole 6W3000K SST S IP44
	Light distribution curve type cone	O Facade Pole 6W3000K SST S IP44
	Light distribution curve type polar	4058075075115 O Facade Pole 6W3000K SST S IP44

LOGISTICAL DATA

Product code	Packaging unit (Pieces/Unit)	Dimensions (length x width x height)	Gross weight	Volume
4058075075115	Folding box 1	124 mm x 154 mm x 166 mm	540.00 g	3.17 dm ³
4058075075122	Shipping box 6	380 mm x 175 mm x 320 mm	3471.00 g	21.28 dm ³

The mentioned product code describes the smallest quantity unit which can be ordered. One shipping unit can contain one or more single products. When placing an order, for the quantity please enter single or multiples of a shipping unit.

References / Links

– For Guarantee see www.ledvance.com/guarantee

DISCLAIMER

Subject to change without notice. Errors and omission excepted. Always make sure to use the most recent release.